



# Flav-R-Savor<sup>®</sup>

## Humidified Portable Holding Cabinets

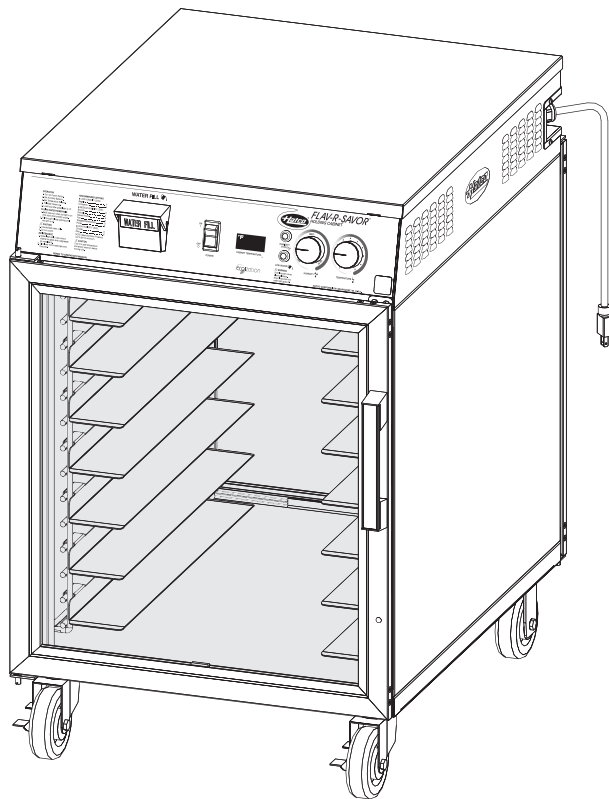
### *FSHC-7 Series*

---

FSHC-7-1

FSHC-7-2

---



## Replacement Parts List

---

# FLAV-R-SAVOR® HUMIDIFIED PORTABLE HOLDING CABINETS

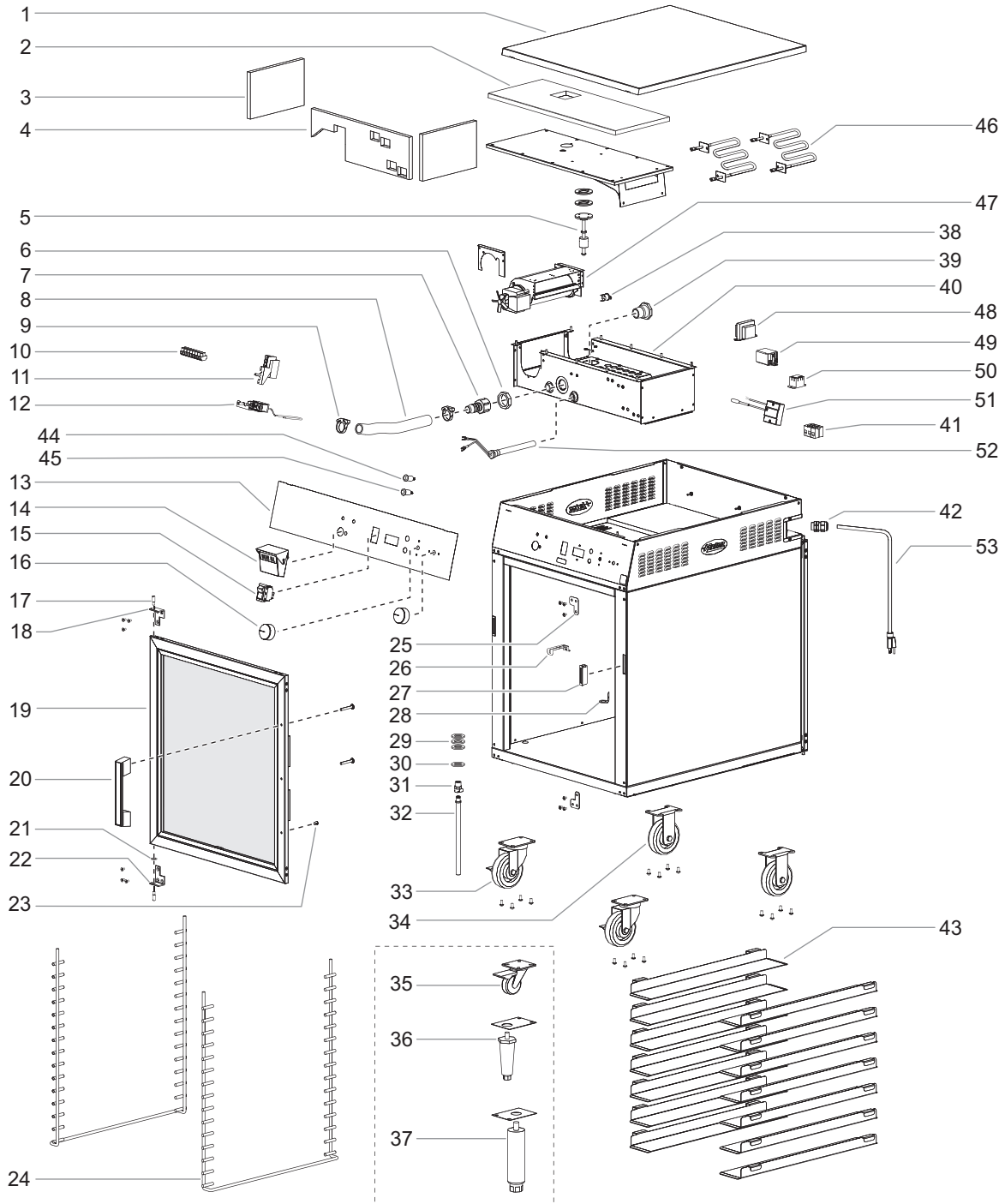
FSHC-7 Series



Use of replacement parts other than those supplied by Hatco Corporation may result in damage to the unit or injury to personnel and will void all warranties.

**Model Designation**  
**F S H C - 7 - 1**

- Quantity of Doors
- Quantity of Shelves
- Humidified Holding Cabinet
- Flav-R-Savor



NOTE: The last four digits in a ten digit numerical serial number are the manufacturing date code.

Example: Serial number 9625060951 has a date code of "0951" which indicates the following: 0951

- Week Fifty-One
- Year 2009



## PARTS COMMON TO ALL MODELS

Item	Description	Part No.	Qty.
1	Outer Top	04.17.823.02	1
2	Insulation, Top	05.05.138.00	1
3	Insulation, Sides	05.05.116.00	2
4	Insulation, Front and Back	05.05.137.00	2
5	Float Switch w/Gaskets	R02.01.029.00	1
6	Jam Nut, Hose Fitting, 3/4"	03.40.023.00	1
7	Hose Fitting Assembly, 3/4" (includes items 6, 39)	R03.40.058.00	1
8	Hose, 1"	03.40.051.00	1
9	Hose Clamp	05.04.354.00	2
10	Terminal Block, 8 Pole	R02.15.049.00	1
11	Thermostat Control, Humidity	02.16.021.00	1
12	Thermostat Control, Temperature	02.16.002.00	1
13	Label, Control Panel	07.01.305.00	1
14	Fill Cup Assembly	R05.30.050.00	1
15	Rocker Switch, On/Off	02.19.015.00	1
16	Knob, Thermostat	05.30.019.00	2
17	Hinge Screw	05.04.146.00	2-4
18	Hinge, Top	04.17.810.00	1-2
	Hinge, Top, Vented†	04.26.002.00	1-2
19	Door Kit, Glass (standard)	R00.01.0123.00	1-2
	Door Kit, Stainless Steel †	R00.01.0125.00	1-2
	Door Kit, Vented Stainless Steel †	R00.01.0130.00	1-2
20	Door Handle (w/ screws)	R05.30.012.00	1-2
	Door Handle, Vented (w/ screws)†	04.26.001.00	1-2

Item	Description	Part No.	Qty.
21	Nylon Washer, Thin	05.11.007.00	1-2
22	Hinge, Bottom	04.17.811.00	1-2
	Hinge, Bottom, Vented†	04.26.002.00	1-2
23	Snap Plug	02.20.218.00	4-8
24	Wire Rack	04.48.526.00	2
25	Cover, Hinge Hole	04.17.817.00	2-4
26	Bracket, Probe	04.17.857.00	1
27	Magnet, Door	05.30.005.00	2-4
28	Drain Hanger Tab	04.17.330.00	1
29	Rubber Washer	05.06.061.00	4
30	Washer, steel, 1-1/2" diameter	04.17.333.00	1
31	Coupling, Drain Shutoff	03.40.056.00	1
32	Drain Hose Assembly	R03.40.054.00	1
33	Caster, 4", Swivel (standard)	04.26.004.00	2
34	Caster, 4", Rigid (standard)	04.25.003.00	2
35	Caster, 2", Swivel (optional)	04.17.733.00	4
36	4", Leg (optional)	05.30.007.00	4
37	6" Leg, Stainless Steel (optional)	04.16.488.00	4
38	High-Limit Thermostat	02.16.120.00	1
39	Bulkhead Fitting, 3/4"	03.40.022.00	1
40	Heat Chamber Assembly	04.17.735.01	1
41	Terminal Block, 3 Pole	R02.15.046.00	1
42	Cord Grip, Straight	02.20.259.00	1
43	Adjustable Shelf	04.17.1381.00	14

† Optional features; not shown.

NOTE: Quantities shown as a range (example = "1-2") are dependent upon the number of doors on a unit.

## VOLTAGE-SPECIFIC PARTS FOR ALL MODELS

Item	Description	120V	220V	240V	220-230V	230-240V
44	Indicator Light, Green	02.19.155.00	02.19.150.00	02.19.150.00	02.19.150.00	02.19.150.00
45	Indicator Light, Red	02.19.154.00	02.19.151.00	02.19.151.00	02.19.151.00	02.19.151.00
46	Air Element, Standard Watt, 1050W	R02.08.570.01	R02.08.570E.02	R02.08.570E.03	R02.08.570E.02	R02.08.570E.03
	Air Element, High Watt, 1400W					
	Front Element	02.08.569.01	02.08.569E.02	02.08.569E.03	02.08.569E.02	02.08.569E.03
	Back Element	02.08.569.07	02.08.569E.08	02.08.569E.09	02.08.569E.08	02.08.569E.09
47	Blower Motor	R02.12.066.00	R02.12.113.00	R02.12.113.00	R02.12.113.00	R02.12.113.00
48	Transformer, 24V	02.17.022.00	02.17.060.00	02.17.060.00	02.17.035.00	02.17.035.00
49	Control Relay	02.01.028.00	02.01.043.00	02.01.043.00	02.01.043.00	02.01.043.00
50	Relay, Mini	02.01.088.00	02.01.180.00	02.01.105.00	02.01.180.00	02.01.105.00
51	Temperature Display w/Probe	R02.16.057.00	R02.16.058.00	R02.16.058.00	R02.16.058.00	R02.16.058.00
52	Water Element	R02.05.002.00	R02.05.018.00	R02.05.003.00	R02.05.018.00	R02.05.003.00
53	Power Cord w/Plug					
	NEMA 5-15P	R02.18.154.00				
	CEE 7/7 Schuko		02.18.077.00		02.18.077.00	
	BS-1363			02.18.068.00		02.18.068.00
	AS 3112 (Australia)			02.18.104.00		
	Wiring Diagram	10-01-065	10-01-203	10-01-203	10-01-203	10-01-203

# HATCO AUTHORIZED PARTS DISTRIBUTORS

## ALABAMA

Jones McLeod Appl. Svc.  
Birmingham 205-251-0159

## ARIZONA

Service Solutions Group  
Phoenix 602-234-2443

Byassee Equipment Co.  
Phoenix 602-252-0402

## CALIFORNIA

Industrial Electric  
Commercial Parts & Service, Inc.  
Huntington Beach 714-379-7100

Chapman Appl. Service  
San Diego 619-298-7106

P & D Appliance  
Commercial Parts & Service, Inc.  
S. San Francisco 650-635-1900

## COLORADO

Hawkins Commercial Appliance  
Englewood 303-781-5548

## FLORIDA

Whaley Foodservice Repair  
Jacksonville 904-725-7800

3Wire Nass Service Co., Inc.  
Orlando 407-425-2681

B.G.S.I.  
Pompano Beach 954-971-0456

Comm. Appliance Service  
Tampa 813-663-0313

## GEORGIA

TWC Services  
Mableton 770-438-9797

Heritage Service Group  
Norcross 866-388-9837

Southeastern Rest. Svc.  
Norcross 770-446-6177

## HAWAII

Burney's Comm. Service, Inc.  
Honolulu 808-848-1466

Food Equip Parts & Service  
Honolulu 808-847-4871

## ILLINOIS

Parts Town  
Lombard 708-865-7278

Eichenauer Elec. Service  
Decatur 217-429-4229

Midwest Elec. Appl. Service  
Elmhurst 630-279-8000

Cone's Repair Service  
Moline 309-797-5323

## INDIANA

GCS Service  
Indianapolis 317-545-9655

## IOWA

Electric Motor Service Co.  
Davenport 319-323-1823

Goodwin Tucker Group  
Des Moines 515-262-9308

## KENTUCKY

Service Solutions Group  
Lexington 859-254-8854

Service Solutions Group  
Louisville 502-451-5411

## LOUISIANA

Chandlers Parts & Service  
Baton Rouge 225-272-6620

## MARYLAND

Electric Motor Service  
Baltimore 410-467-8080

GCS Service  
Silver Spring 301-585-7550

## MASSACHUSETTS

Ace Service Co., Inc.  
Needham 781-449-4220

## MICHIGAN

Bildons Appliance Service  
Detroit 248-478-3320

Commercial Kitchen Service  
Bay City 517-893-4561

Midwest Food Equip. Service  
Grandville 616-261-2000

## MINNESOTA

GCS Service  
Plymouth 800-345-4221

## MISSOURI

General Parts  
Kansas City 816-421-5400

Commercial Kitchen Services  
St. Louis 314-890-0700

Kaemmerlen Parts & Service  
St. Louis 314-535-2222

## NEBRASKA

Anderson Electric  
Omaha 402-341-1414

## NEVADA

Burney's Commercial  
Las Vegas 702-736-0006

Hi. Tech Commercial Service  
N. Las Vegas 702-649-4616

## NEW JERSEY

Jay Hill Repair  
Fairfield 973-575-9145

Service Plus  
Flanders 973-691-6300

## NEW YORK

Acme American Repairs, Inc.  
Brooklyn 718-456-6544

Alpro Service Co.  
Brooklyn 718-386-2515

Appliance Installation  
Buffalo 716-884-7425

Duffy's Equipment Services, Inc.  
Buffalo 800-836-1014

3Wire Northern  
Plattsburgh 800-634-5005

Duffy's Equipment Services, Inc.  
Sauquoit 800-836-1014

J.B. Brady, Inc.  
Syracuse 315-422-9271

## NORTH CAROLINA

Authorized Appliance  
Charlotte 704-377-4501

## OHIO

Akron/Canton Comm. Svc. Inc.  
Akron 330-753-6635

Service Solutions Group  
Cincinnati 513-772-6600

Commercial Parts and Service  
Columbus 614-221-0057

Electrical Appl. Repair Service  
Brooklyn Heights 216-459-8700

E. A. Wichman Co.  
Toledo 419-385-9121

## OKLAHOMA

Hagar Rest. Service, Inc.  
Oklahoma City 405-235-2184

Krueger, Inc.  
Oklahoma City 405-528-8883

## OREGON

Ron's Service, Inc.  
Portland 503-624-0890

## PENNSYLVANIA

Elmer Schultz Services  
Philadelphia 215-627-5401

FAST Comm. Appl. Service  
Philadelphia 215-288-4800

Appliance Installation & Service  
Pittsburgh 412-809-0244

K & D Service Co.  
Harrisburg 717-236-9039

Electric Repair Co.  
Reading 610-376-5444

## RHODE ISLAND

Marshall Electric Co.  
Providence 401-331-1163

## SOUTH CAROLINA

Whaley Foodservice Repair  
W. Columbia 803-791-4420

## TENNESSEE

Camp Electric  
Memphis 901-527-7543

## TEXAS

GCS Service  
Fort Worth 800-433-1804

Armstrong Repair Service  
Houston 713-666-7100

Cooking Equipment Specialist  
Mesquite 888-866-9276

Refrigerated Specialist, Inc.  
Mesquite 888-866-9276

Commercial Kitchen Repair Co.  
San Antonio 210-735-2811

## UTAH

La Monica's Rest. Equip. Service  
Murray 801-263-3221

## VIRGINIA

Daubers  
Norfolk 757-855-4097

Daubers  
Springfield 703-866-3600

## WASHINGTON

3Wire Restaurant Appliance  
Seattle 800-207-3146

## WISCONSIN

A.S.C., Inc.  
Madison 608-246-3160

A.S.C., Inc.  
Milwaukee 414-543-6460

## CANADA

### ALBERTA

Key Food Equipment Service  
Edmonton 780-438-1690

### BRITISH COLUMBIA

Key Food Equipment Service  
Vancouver 604-433-4484

Key Food Equipment Service  
Victoria 250-920-4888

### MANITOBA

Air Rite, Inc.  
Winnipeg 204-895-2300

### NEW BRUNSWICK

EMR Services, Ltd.  
Moncton 506-855-4228

### ONTARIO

R.G. Henderson Ltd.  
Toronto 416-422-5580

Choquette - CKS, Inc.  
Ottawa 613-739-8458

### QUÉBEC

Choquette - CKS, Inc.  
Montreal 514-722-2000

Choquette - CKS, Inc.  
Québec City 418-681-3944

## UNITED KINGDOM

Marren Group  
Northants +44(0)1933 665313

HATCO CORPORATION  
P.O. Box 340500  
Milwaukee, WI 53234-0500 U.S.A.  
(800) 558-0607 (414) 671-6350  
Parts and Service Fax (800) 690-2966  
International Fax (414) 671-3976  
partsandservice@hatcocorp.com  
www.hatcocorp.com



24 Hour 7 Day Parts and Service  
Assistance available in the United States  
and Canada by calling (800) 558-0607.