



Star
Manufacturing
International Inc.

10 Sunnen Drive
St. Louis, MO 63143

Phone: (314) 781-2777
Fax: (314) 781-3636

Installation
and
Operating
Instructions

2M-Z6062 Rev. -- 4/9/03

STAR-MAX ELECTRIC HOT PLATE

MODELS

502D

502FD

502DS



Model 502D



Model 502FD



SAFETY SYMBOL



This symbol is intended to alert the user to the presence of important operating and maintenance instructions in the manual accompanying the appliance.

RETAIN THIS MANUAL FOR FUTURE REFERENCE

NOTICE

Using any part other than genuine Star factory supplied parts relieves the manufacturer of all liability.

NOTICE

Star reserves the right to change specifications and product design without notice. Such revisions do not entitle the buyer to corresponding changes, improvements, additions or replacements for previously purchased equipment.

MAINTENANCE AND REPAIRS

Contact your local authorized service agent for service or required maintenance. Refer to the authorized service center listing provided with the unit. The Star Service Help Desk (1-800-807-9054) is available during normal business hours to answer any questions that may arise. Please have your model number and serial number for faster service.

GENERAL OPERATING INSTRUCTIONS



CAUTION

This equipment is designed and sold for commercial use only by personnel trained and experienced in its operation and is not sold for consumer use in and around the home nor for use directly by the general public in food service locations. For equipment to be used by the general public, please contact the factory.

The Star-Max models 502D, 502FD, and 502DS Electric Hot Plates are equipped for the voltage indicated on the nameplate mounted on the front panel. This unit is designed to operate on alternating current (A.C.), two wire single phase service only. **DO NOT CONNECT TO DIRECT CURRENT (D.C.).**

Total Connected Load:

502FD: at 240 Volts, Wattage is 5,200.
at 208 Volts, Wattage is 3,900.

502D/502DS: at 240 Volts, Wattage is 4,200.
at 208 Volts, Wattage is 3,150.

INSTALLATION

For your protection, we recommend that a qualified electrician install this appliance. The electrician should be familiar with electrical installations and your local electrical requirements. The external wiring should be in conduit or an approved type of flexible cable and of suitable size to carry the load. The supply circuit should be properly fused and equipped with a means of disconnecting as required by local electrical code. The body of the hot plate should be grounded (Do not ground to a gas supply pipe). The connections are made in this unit at the pigtail leads located in the junction box on the back of the unit. To gain access to the pigtail leads remove cover on junction box.

LOCATE THE UNIT

Do not install the unit closer than 1 inch from a side wall and/or closer than 1 inch from a rear wall.

LEVELING UNIT

Level unit by adjusting the (4) feet for accurate and perfect line up with other Star-Max series units.



CAUTION

DO NOT INSTALL WITHOUT FEET.



CAUTION

USE ONLY FLAT BOTTOM PANS AND POTS! DO NOT USE RAISED BOTTOM UTENSILS OR BUCKETS! GOOD HEAT TRANSFER DEPENDS UPON GOOD CONTACT BETWEEN THE ELEMENT AND POT.

NOTE: Using a 12" diameter or larger pan/pot may cause damage to the element or internal wiring. Such damages are not covered by warranty.

Two (2) heating elements are used. For the 502FD each element draws 2,600 Watts on 240 Volts and 1,950 Watts on 208 Volts. For the 502D and DS each element draws 2,100 Watts on 240 Volts and 1,575 Watts on 208 Volts. Each element is controlled by an infinite position switch. The right control knob controls the rear cooking element and the left control knob controls the front cooking element. On "HI" the element delivers uninterrupted full heat. Between "LO" and "5" any desired amount of heat can be obtained between 6% and 60% of full heat.

Signal lights are provided above the control knobs to give a visual check if either one or both heating units are turned on.

CLEANING

The exterior surfaces can be kept clean and attractive by regularly wiping with a clean soft cloth. Any discoloration can be removed with a non-abrasive cleaner.

For models 502D and 502DS, the heating elements may be raised for access to the drip pans, which may be removed for cleaning and the bottom pan may be removed by sliding pan forward.

REPLACEMENT OF INFINITE CONTROL

BE SURE POWER IS DISCONNECTED BEFORE ATTEMPTING TO SERVICE UNIT.

1. Pull control knobs on front panel forward to remove.
2. Remove 8 screws from front panel and tilt front panel forwards.
3. Remove the nut that mounts the inoperative control and pull the control to the side.
4. Remove one wire at a time from the inoperative control and connect at the same terminal on the new control. Carefully check to see that proper wires have been connected to the terminals of the control. See attached wiring diagram.
5. Assemble new control to the front panel.

MAINTENANCE AND REPAIRS

Contact the factory or one of its representatives or a local service company for service or maintenance if required.

THOROUGHLY INSPECT YOUR UNIT ON ARRIVAL

This unit has been tested for proper operation before leaving our plant to insure delivery of your unit in perfect condition. However, there are instances in which the unit may be damaged in transit. In the event you discover any type of damage to your product upon receipt, you must immediately contact the transportation company who delivered the item to you and initiate your claim with same. If this procedure is not followed, it may affect the warranty status of the unit.

LIMITED EQUIPMENT WARRANTY

All workmanship and material in Star products have a one (1) year limited warranty on parts & labor in the United States and Canada. Such warranty is limited to the original purchaser only and shall be effective from the date the equipment is placed in service. Star's obligation under this warranty is limited to the repair of defects without charge, by the factory authorized service agency or one of its sub-agencies. Models that are considered portable (see below) should be taken to the closest Star service agency, transportation prepaid.

- > Star will not assume any responsibility for loss of revenue.
- > On all shipments outside the United States and Canada, see International Warranty.
- * The warranty period for the JetStar series six (6) ounce popcorn machines is two (2) years.
- * The warranty period for the Chrome-Max Griddles is five (5) years on the griddle surface. See detailed warranty provided with unit.
- * The warranty period for Teflon/Dura-Tec coatings is one year under normal use and reasonable care. This warranty does not apply if damage occurs to Teflon/Dura-Tec coatings from improper cleaning, maintenance, use of metallic utensils, or abrasive cleaners. This warranty does not apply to the "non-stick" properties of such materials.
- > This warranty does not apply to "Special Products" but to regular catalog items only. Star's warranty on "Special Products" is six (6) months on parts and ninety (90) days on labor.
- > This warranty does not apply to any item that is disassembled or tampered with for any purpose other than repair by a Star Authorized Service Center or the Service Center's sub-agency.
- > This warranty does not apply if damage occurs from improper installation, misuse, wrong voltage, wrong gas or operated contrary to the Installation and Operating instructions.
- > This warranty is not valid on Conveyor Ovens *unless* a "start-up/check-out" has been performed by a Factory Authorized Technician.

PARTS WARRANTY

Parts that are sold to repair out of warranty equipment are warranted for ninety (90) days. The part only is warranted. Labor to replace the part is chargeable to the customer.

SERVICES NOT COVERED BY WARRANTY

- | | |
|--|---|
| 1. Travel time and mileage rendered beyond the 50 mile radius limit | 10. Voltage conversions |
| 2. Mileage and travel time on portable equipment (<i>see below</i>) | 11. Gas conversions |
| 3. Labor to replace such items that can be replaced easily during a daily cleaning routine, ie; removable kettles on fryers, knobs, grease drawers on griddles, etc. | 12. Pilot light adjustment |
| 4. Installation of equipment | 13. Miscellaneous adjustments |
| 5. Damages due to improper installation | 14. Thermostat calibration and by-pass adjustment |
| 6. Damages from abuse or misuse | 15. Resetting of circuit breakers or safety controls |
| 7. Operated contrary to the Operating and Installation Instructions | 16. Replacement of bulbs |
| 8. Cleaning of equipment | 17. Replacement of fuses |
| 9. Seasoning of griddle plates | 18. Repair of damage created during transit, delivery, & installation OR created by acts of God |

PORTABLE EQUIPMENT

Star will not honor service bills that include travel time and mileage charges for servicing any products considered "Portable" including items listed below. These products should be taken to the Service Agency for repair:

- * The Model 510F Fryer.
 - * The Model 526TO Toaster Oven.
 - * The Model J4R, 4 oz. Popcorn Machine.
 - * The Model CFS Series Food Steamer.
 - * The Model 526WO Warming Oven.
 - * The Model 518CM & 526CM Cheese Melter.
 - * The Model 12MC & 15MC & 18MCP Hot Food Merchandisers.
 - * The Model 12NCPW & 15NCPW Nacho Chip/Popcorn Warmer.
 - * All Hot Dog Equipment **except Roller Grills & Drawer Bun Warmers.**
 - * All Nacho Cheese Warmers **except Model 11WLA Series Nacho Cheese Warmer.**
 - * All Condiment Dispensers **except the Model CSD & HPD Series Dispenser.**
 - * All Specialty Food Warmers **except Model 130R, 500, 11RW Series, and 11WSA Series.**
- ALL:**
- * Pop-Up Toasters
 - * Butter Dispensers
 - * Pretzel Merchandisers
 - * Pastry Display Cabinets
 - * Nacho Chip Merchandisers
 - * Accessories of any kind
 - * Sneeze Guards
 - * Pizza Ovens
 - * Heat Lamps
 - * Hot Cups
 - * Pumps

The foregoing warranty is in lieu of any and all other warranties expressed or implied and constitutes the entire warranty.

FOR ASSISTANCE

Should you need any assistance regarding the Operation or Maintenance of any Star equipment; write, phone, fax or email our Service Department. In all correspondence mention the Model number and the Serial number of your unit, and the voltage or type of gas you are using.



STAR MANUFACTURING INTERNATIONAL INC.
#10 SUNNEN DRIVE
ST. LOUIS, MO. 63143, USA

MATERIAL
FINISH

MODEL NO.
502D/502FD

PART NO.
SK1986

DR. TH CK. DATE 4-9-03

TITLE
WIRING DIAGRAM

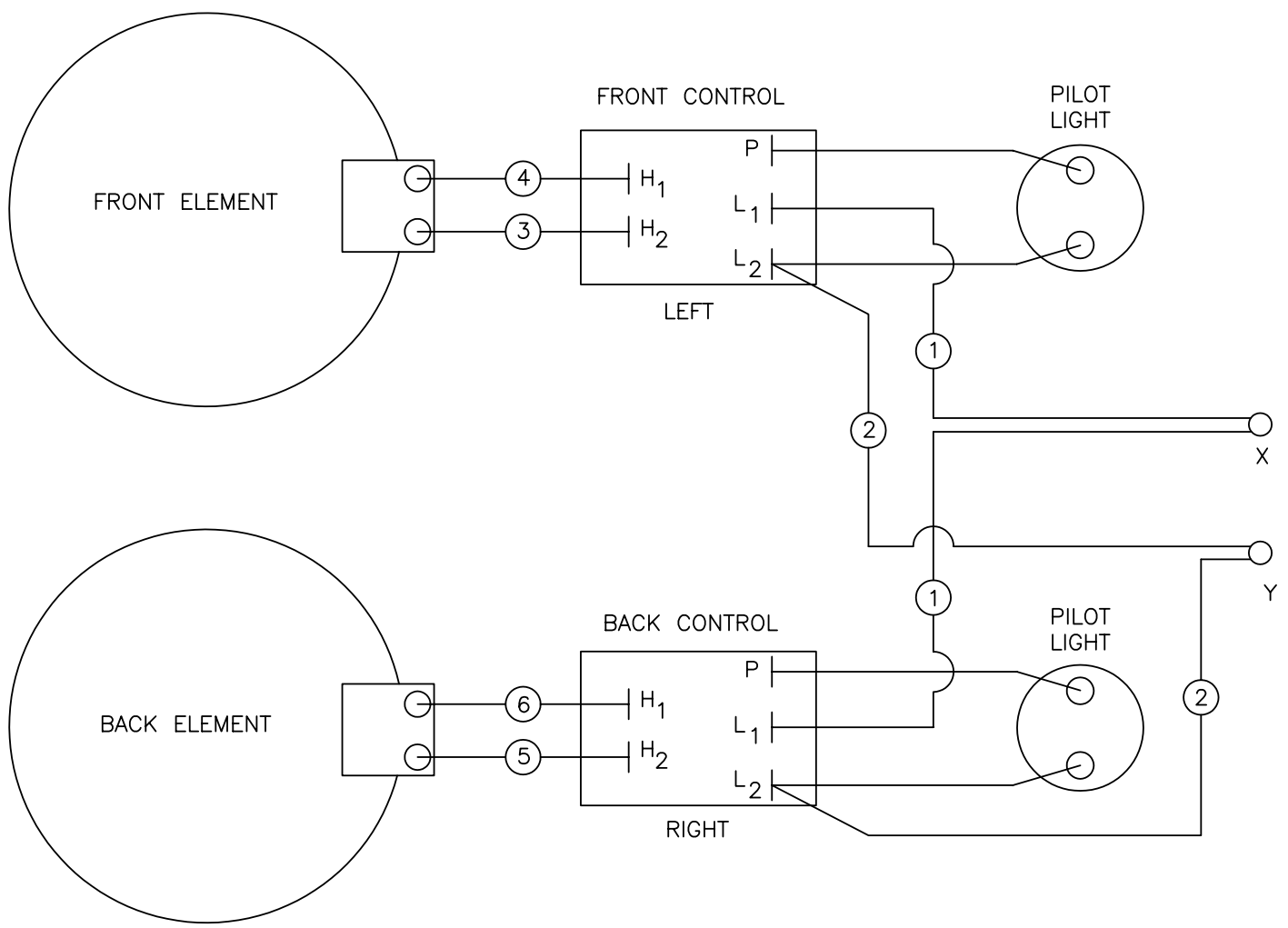
TOLERANCES UNLESS OTHERWISE NOTED
FRACTIONS ± 1/64 DECIMALS ± .005 ANGLES ± 1°

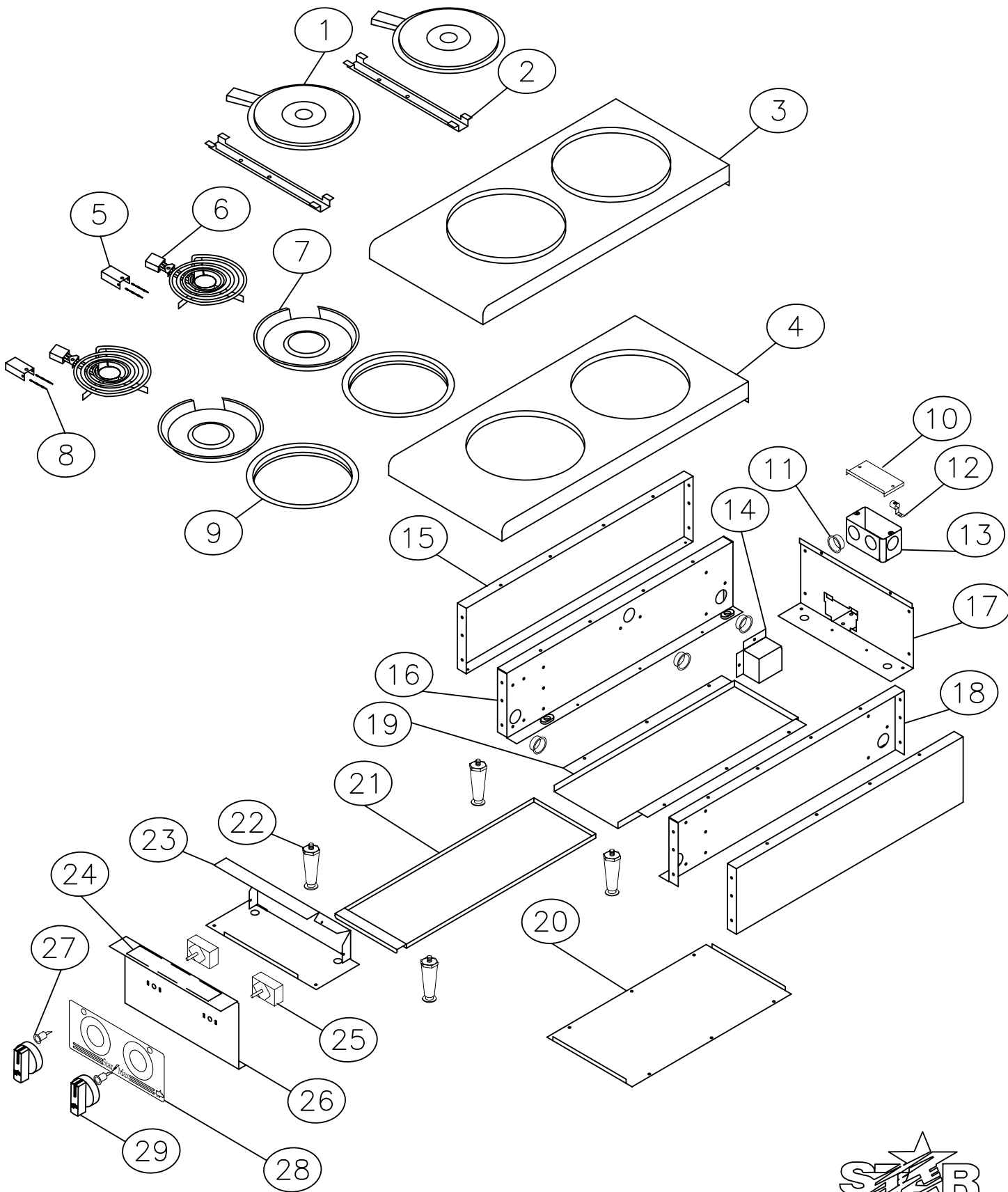
THIS DRAWING CONTAINS INFORMATION CONFIDENTIAL TO STAR MFG. INT'L INC.
NO REPRODUCTION OR DISCLOSURE OF ITS CONTENTS IS PERMITTED.

REVISIONS	LTR	DATE	DESCRIPTION OF CHANGE	DR

502FD		502D		502FD		502D	
RATED WATTAGE		RATED WATTAGE		NOMINAL AMPS PER LINE		NOMINAL AMPS PER LINE	
5200 (240V)	4200 (240V)	208 V (1 PH)	240 V (1 PH)	208 V (1 PH)	240 V (1 PH)	18.77	21.66
3900 (208V)	3150 (208V)					15.14	17.5
FOR SUPPLY CONNECTIONS USE GA. SHOWN (OR LARGER)		AWG #10	AWG #10	AWG #12	AWG #10		

NOTE: FOR SUPPLY CONNECTIONS
USE COPPER WIRE ONLY, SUITABLE
FOR AT LEAST 90 DEG. C (194 DEG. F)





STAR MANUFACTURING INTERNATIONAL, INC.

MODEL 502D, 502FD

SK1984 03-02-03 DR: TH

PARTS LIST

EFFECTIVE 4/9/03 Rev. --

502D, 502FD, 502DS
 MODEL Star-Max Electric Hot Plate

Key Number	Part Number	Number Per Unit	Description and Model Designation
1	2N-Y3301	2	ELEMENT 502FD
2	I3-Z6169	2	ELEMENT CLAMP 502FD
3	I3-Z6176	1	TOP 502FD
4	I2-Z6175	1	TOP 502D, 502DS
5	I3-Y7822	2	COVER 502D, 502DS
6	2N-Y7779	2	ELEMENT 502D, 502DS
7	2D-6470	2	PAN 502D, 502DS
8	I3-Y7891	4	STRAIN RELIEF CHAIN 502D, 502DS
9	2P-6468	2	RING 502D, 502DS
10	G3-Y7788	1	BOX COVER ALL
11	2K-Z6183	4	BUSHING ALL
12	2C-Y2344	1	GROUND LUG ALL
13	2E-Y7327	1	ELECTRICAL BOX ALL
14	I2-Z6064	1	WIRE COVER 502D, 502DS
15	G3-Z5945	2	SIDE PANEL ALL
16	I2-502023	1	SIDE LINER ASSEMBLY LEFT ALL
17	I2-Z6170	1	REAR PANEL ALL
18	G3-624303	1	SIDE LINER ASSEMBLY RIGHT ALL
19	I2-Z6178	1	DRAWER SLIDE 502D, 502DS
20	I3-Z6174	1	BOTTOM PANEL 502FD
21	I2-Z6177	1	DRAWER 502D, 502DS
22	2A-Z5942	4	FOOT ALL
23	I2-Z6172	1	CENTER WALL ALL
24	VARIOUS	1	NAMEPLATE ALL
25	2J-6403	2	CONTROL ALL
26	I2-Z6179	1	FRONT PANEL ALL
27	2J-Y6690	2	PILOT LIGHT ALL
28	2M-Z6171	1	GRAPHIC PANEL 502D, 502FD
	2M-Z6591	1	GRAPHIC PANEL 502DS
29	2R-Z3436	2	KNOB 502D, 502FD
	2R-Z6378	2	KNOB 502DS
NA	2E-Z6167	1	WIRE SET 502D, 502DS
	2E-Z6168	1	WIRE SET 502FD

IMPORTANT: WHEN ORDERING, SPECIFY VOLTAGE OR TYPE GAS DESIRED
 INCLUDE MODEL AND SERIAL NUMBER

PAGE 1
 OF 1

Some items are included for illustrative purposes only and in certain instances may not be available.



Star Manufacturing International, Inc.