



# SEARAY 175 & 205 1.5HP POLISHERS

## INTRODUCTION

## OPERATING & MAINTENANCE INSTRUCTIONS

### READ THIS BOOK

This operator's book has important information for the use and safe operation of this machine. Read this book carefully before starting the machine. Keep this book and tell all operators to read the book. If you do not follow the instructions, you can cause an injury or damage equipment, furniture or buildings.

For new books write to:

**Pacific**  
2259 South Sheridan Road  
Muskegon, MI 49442

Carefully inspect all components to ensure that there is no concealed freight damage. If such damage is discovered, file a "CONCEALED DAMAGE REPORT" immediately with the delivering carrier.

The contents of this manual are based on the latest product information available at the time of publication. **Pacific** reserves the right to make changes or improvements to its machines without notice.

**FOR YOUR CONVENIENCE, RECORD THE MACHINE  
MODEL AND SERIAL NUMBER:**

MODEL \_\_\_\_\_

SERIAL NUMBER \_\_\_\_\_

PART NUMBER \_\_\_\_\_

DATE PURCHASED \_\_\_\_\_

# IMPORTANT SAFETY INSTRUCTIONS

To assure the safe operation of this machine, you must read and understand all warnings and instructions in this book. If you do not understand, ask your supervisor.

## READ ALL INSTRUCTIONS BEFORE USING THIS MACHINE

### **WARNING:** To reduce the risk of fire, electric shock, or injury:

1. You must be trained to operate this machine. This machine is to be operated for its intended use only.
2. Do not operate this machine unless it is completely assembled.
3. Always use a three-wire electrical system connected to the electrical ground. For maximum protection against electrical shock, use a circuit that is protected by a ground fault circuit interrupter. Consult your electrical contractor.
4. To prevent electric shock, always remove the electrical plug from the electrical outlet before doing any repairs or maintenance and when leaving the machine unattended.
5. To prevent electric shock, keep the machine surface dry. Do not subject to rain. Store the machine in a dry building area. Clean the machine with a dry cloth only.
6. Machines can cause an explosion when near flammable materials and vapors. Do not use this machine with or near fuels, grain dust, solvents, thinners, or other flammable materials. Do not use flammables to clean this machine.
7. A qualified or authorized person must do maintenance and repairs.
8. To prevent damage to the power cord, do not move this machine over the power cord. Always lift the power cord over the machine. Do not pull or carry cord, use cord as a handle, close a door on cord, or pull cord around sharp edges or corners. Keep cord away from heated surfaces.
9. Do not use with damaged cord or plug. If the machine is not working as it should, has been dropped, damaged, left outdoors, or dropped into water, return it to a service center.

## Grounding Instructions

This machine must be grounded. If it should malfunction or break down, grounding provides a path of least resistance for electric current to reduce the risk of electric shock. This machine is equipped with a cord having an equipment-grounding conductor and grounding plug. The plug must be inserted into an appropriate outlet that is properly installed and grounded in accordance with all local codes and ordinances.

**WARNING** - Improper connection of the equipment-grounding conductor can result in a risk of electric shock. Check with a qualified electrician or service person if you are in doubt as to whether the outlet is properly grounded. Do not modify the plug provided with the machine - if it will not fit the outlet, have a proper outlet installed by a qualified electrician.

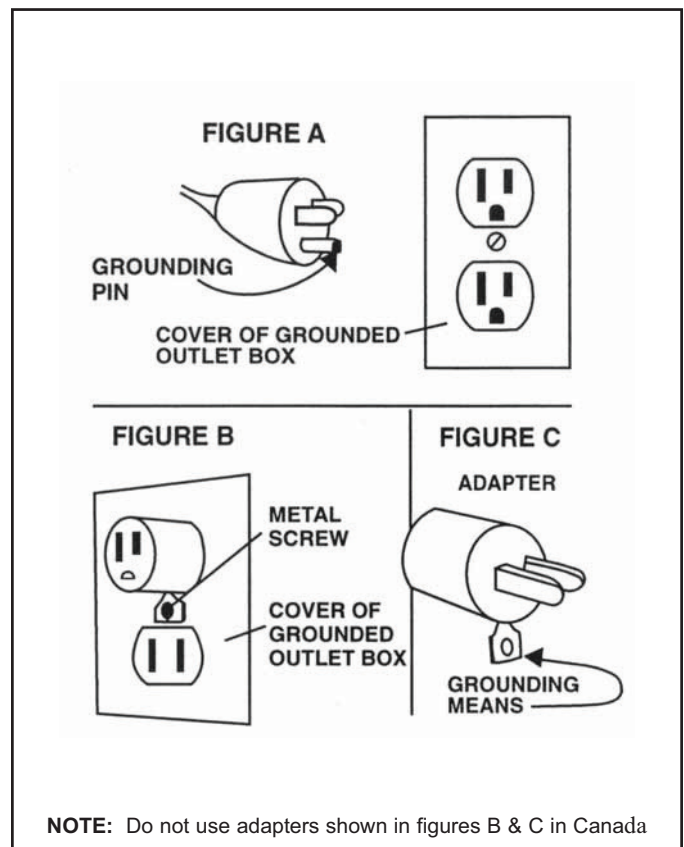
This machine is for use on a nominal 120-volt circuit, and has a grounded plug that looks like the plug illustrated in figure A. A temporary adapter that looks like the adapter illustrated in figures B and C may be used to connect this plug to a 2-pole receptacle as shown in figure B if a properly grounded outlet is not available. The temporary adapter should be used only until a properly grounded outlet (figure A) can be installed by a qualified electrician. The green colored rigid ear, lug, or the like extending from the adapter must be connected to a permanent ground such as a properly grounded outlet box cover. Whenever the adapter is used, it must be held in place by a metal screw.

*NOTE: In Canada, the use of a temporary adapter is not permitted by the Canadian Electrical Code*

### **EXTENSION CORDS**

Use only three-wire 12/3 or larger gauge approved extension cords that have three-prong grounding type plugs and three-pole receptacles that accept the appliance's plug. Replace or repair any damaged cords or plugs.

When servicing, refer to authorized person only. Use only identical replacement parts.



# OPERATING PROCEDURES

---

**WARNING!** For the safe operation of this machine follow the instructions given in this manual and the training given by your supervisor. Failure to do so can result in personal injury and/or damage to machine and property!

**DO NOT OPERATE MACHINE IN AN EXPLOSIVE ENVIRONMENT!**

This machine is intended for commercial use.

## **PREPARATION**

---

To prepare the machine for operation, make sure it is of correct voltage and properly assembled.

Your new floor machine operates in the normal side to side motion of a conventional single disc machine. Be prepared before starting by removing all obstructions or other obstacles in the area to be cleaned. Check the proper application recommendations and procedures found on the label of your cleaning or finish container. **IF IN DOUBT, CALL YOUR SUPERVISOR.**

**WARNING! NEVER USE THIS MACHINE WITH FLAMMABLE OR EXPLOSIVE MATERIAL!**

**For Scrubbing or Polishing:** Select the correct floor pad or brush (your supplier can help you). If in doubt, ask your supervisor.

**NEVER OPERATE THE MACHINE WITHOUT THE FLOOR PAD OR BRUSH INSTALLED!**

To properly attach the brush, **UNPLUG THE FLOOR MACHINE**, place the handle in the vertical position, then tilt the machine back until the handle rests on the floor. Straddle the handle, facing the motor, and grasp the brush with the block toward you. Place the brush or pad clutch plate over the three lugs on the motor drive adapter. Twist the brush right to lock it into position. To remove the brush, **UNPLUG THE MACHINE** and follow the same procedure as above, but by twisting the brush off with a firm jerk to the left. Remove the brush or pad driver when the machine is not in use. This will help prevent brush damage and reduce wobble problems.

## **OPERATION**

---

Plug the machine's power cable into a properly grounded outlet (see Safety Instructions). Next, adjust the handle height to a comfortable position.

Pull out on the "Watch Dog" Safety Lock button and start the machine by depressing either the left or right switch levers.

Both hands should be placed on the handle when the machine is in operation. The machine will glide sideways over the floor by a slight raising and lowering of the handle. Raise the handle slightly to go to the right. Lower the handle slightly to go left. **Releasing the switch lever stops the machine at once.**

## **MAINTENANCE**

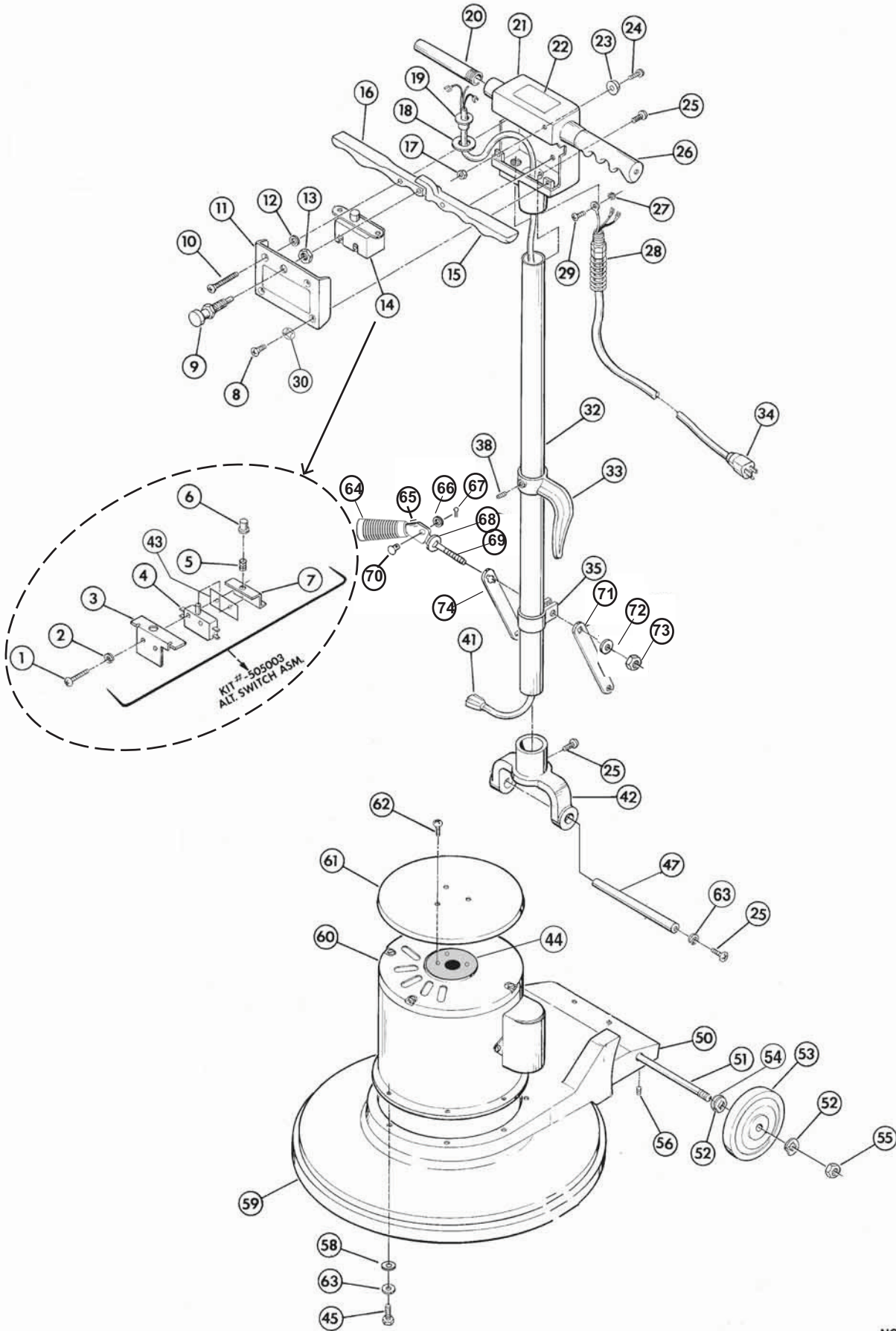
---

**AFTER EACH USE:** Store the machine in a clean dry area. Wipe the entire machine and cord down with a clean cloth. Remove the pad or brush and clean thoroughly. Wrap the machine's electrical cord onto the handles and the cord hook provided. **CHECK** the cord and plug for nicks, cuts or damage. Report these to your supervisor for correction.

**WARNING! Always disconnect the machine's electrical plug from the electrical outlet before performing any service, maintenance, pad changing or inspection of the machine.**

**MOTOR:** The motor is lubricated for life under normal use. No oiling or greasing is necessary. However, if the machine is used in dusty areas or is used for spray buffing, the motor should be cleaned. Blowing the motor out with compressed air or with the exhaust from a vacuum is suggested. Keeping the motor clean will allow the clear passage of air for ventilation and prevent overheating. If you have any questions regarding the maintenance of your floor machine, **ASK YOUR SUPERVISOR.**

# 17" & 20" 1.5hp Polishers



## 17" & 20" 1.5hp Polishers Parts List

| ITEM | PART NO. | DESCRIPTION                      | QTY. |
|------|----------|----------------------------------|------|
| 1    | W323D    | Screw, 6-32x1 Pan Hd.            | 2    |
| 2    | 980016   | Washer, #6 Ext. Tooth            | 2    |
| 3    | 500801   | Bracket, Switch Mounting         | 1    |
| 4    | 911135   | Switch                           | 1    |
| 5    | 508301   | Spring                           | 1    |
| 6    | 507001   | Plunger                          | 1    |
| 7    | 500802   | Bracket, Switch                  | 1    |
| 8    | 962002   | Screw, 10-32 x 1/2 Oval Hd.      | 2    |
| 9    | 504810   | Interlock Asm.-Switch            | 1    |
| 10   | 962011   | Screw, 10-32 x 3/4 Oval Hd.      | 2    |
| 11   | 486404C  | Switch Cover Plate               | 1    |
| 12   | 509821   | Washer, Rubber                   | 2    |
| 13   | 920005   | Nut, 3/8-24 Hex                  | 1    |
| 14   | 508020   | Switch Asm. (or 505003)          | 1    |
| 15   | 505121   | Lever, Switch Left               | 1    |
| 16   | 505120   | Lever, Switch Right              | 1    |
| 17   | 920001   | Nut, 10-32 Elastic Stop          | 1    |
| 18   | 509830   | Washer, Handle Tube              | 1    |
| 19   | 503320   | Flange, Strain Relief            | 1    |
| 20   | 505720   | Handle Nipple                    | 2    |
| 21   | 481304C  | Switch Housing,w/o Circuit Brkr. | 1    |
| 22   | 515150   | Warning Label                    | 1    |
| 23   | 501210   | Bumper, Handle                   | 1    |
| 24   | 962003   | Screw, 10-32 x 3/4 Pan Hd.       | 1    |
| 25   | 962006   | Screw, 1/4-20 x 1/2 Pan Hd.      | 6    |
| 26   | 503711   | Handle Grip, Grey                | 2    |
|      | 501501   | Cap, Protective End (Blue)       | 2    |
| 27   | 980015   | Washer, #10 Shakeproof           | 2    |
| 28   | 508520   | Strain Relief-Complete           | 1    |
|      | 502020   | Strain Relief-Brass Clamp        | 1    |
| 29   | 962015   | Screw, 10-32 x 3/8 Pan Hd.       | 2    |
| 30   | 980018   | Washer, #10 Countersunk          | 1    |
| 32   | 509082   | Handle Tube                      | 1    |
| 33   | 504420   | Cord Hook                        | 1    |
| 34   | 502422   | Cord Asm.-50 ft. Yellow          | 1    |
| 35   | 482003   | Clamp-Handle                     | 1    |

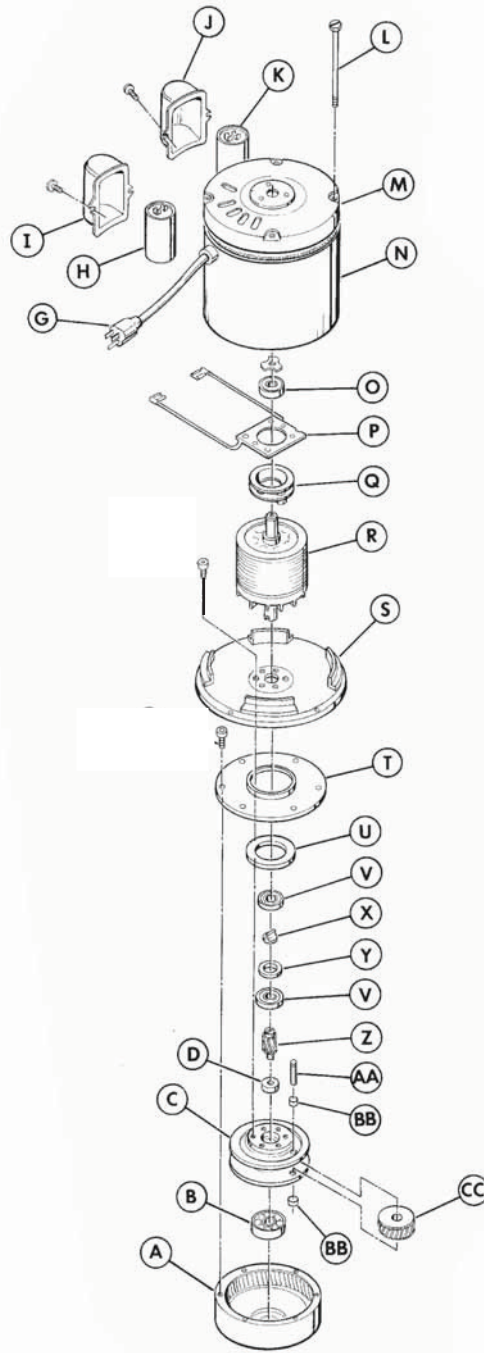
| ITEM | PART NO.          | DESCRIPTION               | QTY. |
|------|-------------------|---------------------------|------|
| 36   | 500840            | Arm, Handle Support       | 2    |
| 38   | 962005            | Screw, 1/4-20 x 3/8 Allen | 1    |
| 40   | 980007            | Washer, 5/16 Flat         | 2    |
| 41   | 908004            | Handle Cord               | 1    |
| 42   | 509920C           | Yoke, Handle              | 1    |
| 43   | 504702            | Insulator-Switch          | 1    |
| 44   | 509823            | Washer, Felt              | 1    |
| 45   | 962010            | Screw, 1/4-20 x 1 HH      | 4    |
| 47   | 507480            | Shaft, Handle Pivot       | 1    |
| 50   | 483215            | Base 17"                  | 1    |
|      | 483216            | Base 20"                  | 1    |
| 51   | 487702            | Wheel Axle                | 1    |
| 52   | 980005            | Washer, Wave              | 2    |
| 53   | 509781            | Wheel, 5"                 | 2    |
| 54   | 509820            | Washer, Fiber             | 2    |
| 55   | W502D             | Nut, 1/2-13 Hex           | 2    |
| 56   | 962016            | Screw, 10-32 x 3/8 Set    | 1    |
| 58   | 980004            | Washer, 1/4 Flat          | 4    |
| 59   | 481202            | Bumper, 17"               | 1    |
|      | 481203            | Bumper, 20"               | 1    |
| 60   | <b>See Page 6</b> | Motor Assembly            | 1    |
| 61   | 502373            | Drip Cover                | 1    |
| 62   | 962019            | Screw, 10-32 x 5/8 PHP    | 3    |
| 63   | 980002            | Washer, 1/4 Lock          | 6    |
| 64   | 483702            | Lever Grip                | 1    |
| 65   | 485124            | Foot Lever                | 1    |
| 66   | W520D             | Washer, Flat - 5/16 I.D.  | 1    |
| 67   | 486702            | Cotter Pin                | 1    |
| 68   | 980644            | Washer, Special Hardened  | 1    |
| 69   | 488401            | Stud Threaded             | 1    |
| 70   | 486701            | Pin                       | 1    |
| 71   | 480804            | L.H. Arm                  | 1    |
| 72   | 980003            | Washer, Flat - 3/8 I.D.   | 1    |
| 73   | 920641            | Nut, M10 ESNA             | 1    |
| 74   | 480805            | R.H. Arm                  | 1    |

Not Shown: 505913 Pad Driver Asm-17 Tri-Lok  
 505914 Pad Driver Asm-20 Tri-Lok  
 485001 Kick Lever Assembly

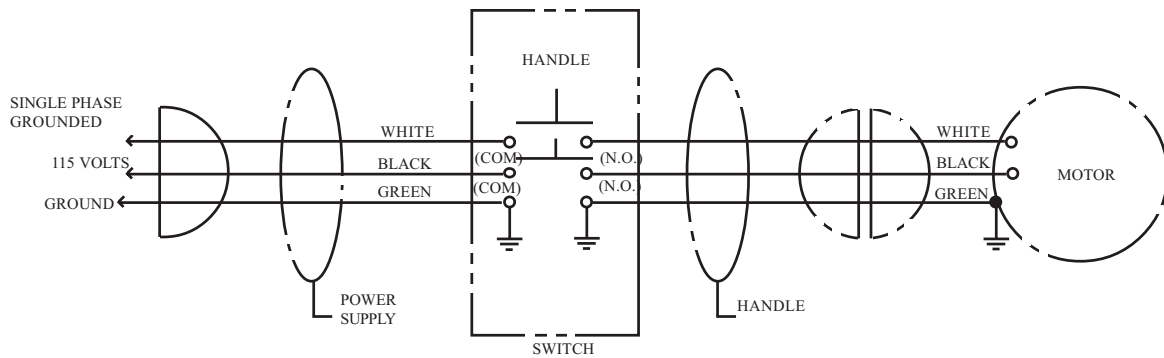
**MOTOR PARTS LIST**  
for  
**17" & 20" 1.5HP Polishers**

| ITEM | DESCRIPTION                 | 1.5 HP MOTOR & GEAR ASM. 115V 60C  |                                    |
|------|-----------------------------|------------------------------------|------------------------------------|
|      |                             | 505254-1.5HP Motor                 | 505273-1.5HP Motor<br>#36J377T115  |
|      |                             | 503535 Gear Asm.<br>10:1 - 3 Idler | 503523 Gear Asm.<br>10:1 - 3 Idler |
| A    | Ring Gear Housing           |                                    | 504209                             |
| B    | Bearing, Ring Gear Housing  | 902007                             | 902007                             |
| C    | Planet Gear Hsing           |                                    | 504208                             |
| D    | Bearing, Pinion Lower       | 902005                             | 902005                             |
| G    | Motor Cord                  |                                    | 908090                             |
| H    | Run Capacitor               | 911286 - 60MFD/400V                | 911236 - 60MFD/240V                |
| I    | Cover,Run Capacitor         | 502308                             | 502375                             |
| J    | Cover, Start Capacitor      | 502308                             | 502375                             |
| K    | Start Capacitor             | 911278 - 470MFD/125V               | 911239 - 400/480MFD-115V           |
| L    | Bolt                        |                                    | 960035                             |
| M    | End Bell                    |                                    | 502931                             |
| N    | Stator Asm,115V-60C         |                                    | 503130                             |
| O    | Bearing, Motor Top          | 902038                             | 902003                             |
| P    | Stationary Switch           | 911277                             | 911251                             |
| Q    | Rotary Switch               |                                    | 911289                             |
| R    | Rotor Assembly              | 500437                             | 500434                             |
| S    | End Bell-Motor Lower        |                                    | 502927                             |
| T    | Cover, Ring Gear            |                                    | 502317                             |
| U    | Bearing, Upper Gear Housing | 902015                             | 902015                             |
| V    | Bearing, Pinion Upper       | 902005                             | 902005                             |
| X    | Coupling Flexible           | 502460                             | 502460                             |
| Y    | Spacer                      |                                    | 508211                             |
| Z    | Pinion                      |                                    | 503510                             |
| AA   | Shaft-Planet Gear           |                                    | 507701 (Qty.3)                     |
| BB   | Bearing-Planet Shaft        |                                    | 902016 (Qty.6)                     |
| CC   | Gear-Planet                 |                                    | 503511 (Qty.3)                     |

# AC MOTOR ILLUSTRATION



# WIRING DIAGRAM



## WARRANTY POLICY LIMITED WARRANTY

The **Pacific** 17" & 20" 1.5hp Polisher has been manufactured, tested and inspected in accordance with specific engineering requirements and is **WARRANTED** to be free from defects in workmanship and materials as follows:

Three (3) years parts, One (1) year labor - AC Motor and Gear Unit, except motor switches, capacitors and flex couplings which have a one (1) year warranty.

Three (3) years parts, One (1) year labor - Castings

One (1) year parts and labor - All other components unless excluded below.

This warranty extends to the original user/purchaser and only when used, operated and maintained in accordance with **Pacific** Operating and Maintenance instructions.

This warranty does not apply to the following wear parts and accessories of the machine including:

| <u>Part Number</u> | <u>Part Name</u>      |
|--------------------|-----------------------|
| 502422             | Cord Assembly, Yellow |
| 509781             | Wheel, 5"             |
| 503711             | Handle Grip, Grey     |
| 481202             | Bumper, 17"           |
| 481203             | Bumper, 20"           |
| 483702             | Lever Grip            |

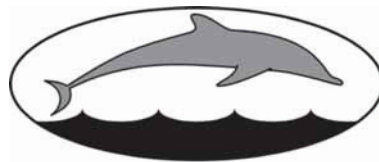
Nor does it apply to damage or failure caused by improper use, abuse or neglect. Warranty credit or replacement of return parts including motors, etc., is subject to incoming inspection of those items.

To secure repair under this warranty, the following procedure should be taken:

- The inoperative machine or warranted parts must be delivered to the authorized service center with shipping and delivery charges prepaid. If unable to locate a service center, you may contact **Pacific** at the address listed herein for the location of the nearest repair center or agent or for other instructions pertaining to your warranty difficulty.
- Upon compliance with the above warranty procedure, all warranted repairs would be completed at no additional charge or cost to the user.
- Only **Pacific** or its authorized dealers and agents may make no charge warranty repairs on this product. All others do so at their own risk.

This warranty limits **Pacific** liability to the repair of the product and/or warranted parts replacement and does not include incidental or consequential damages arising from the use of a **Pacific** machine whether defective or not.

This warranty is in lieu of all other expressed or implied warranties and is extended to the original purchaser/user.



**PACIFIC**

**2259 South Sheridan Road**

**Muskegon, MI 49442**

**Phone: 231-773-1330 Fax: 231-773-1642**

**www.pacificfloorcare.com info@pacificfloorcare.com**