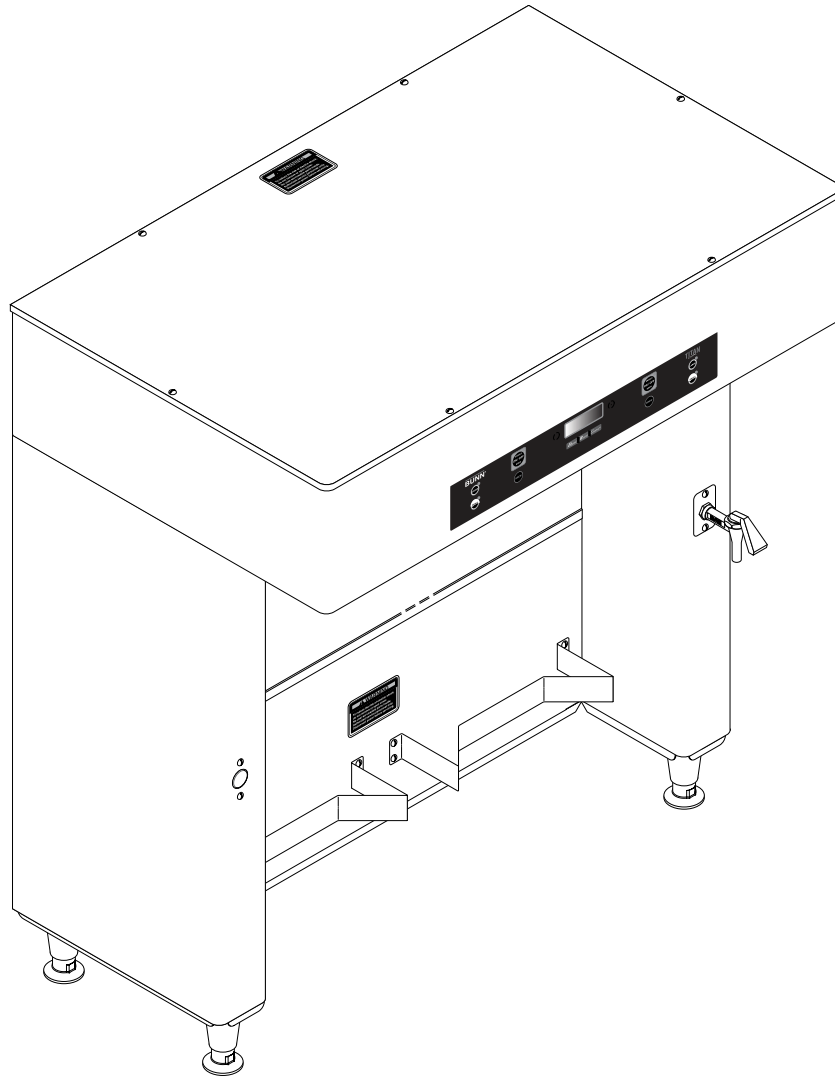


# BUNN®

## TITAN® DUAL



## ILLUSTRATED PARTS CATALOG

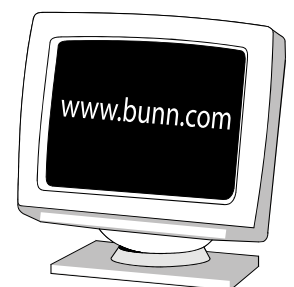
Designs, materials, weights, specifications, and dimensions for equipment or replacement parts are subject to change without notice.

### BUNN-O-MATIC CORPORATION

POST OFFICE BOX 3227

SPRINGFIELD, ILLINOIS 62708-3227

PHONE: (217) 529-6601 FAX: (217) 529-6644



## **BUNN-O-MATIC COMMERCIAL PRODUCT WARRANTY**

Bunn-O-Matic Corp. ("BUNN") warrants equipment manufactured by it as follows:

- 1) Airpots, thermal carafes, decanters, GPR servers, iced tea/coffee dispensers, MCP/MCA pod brewers thermal servers and Thermofresh servers (mechanical and digital)- 1 year parts and 1 year labor.
- 2) All other equipment - 2 years parts and 1 year labor plus added warranties as specified below:
  - a) Electronic circuit and/or control boards - parts and labor for 3 years.
  - b) Compressors on refrigeration equipment - 5 years parts and 1 year labor.
  - c) Grinding burrs on coffee grinding equipment to grind coffee to meet original factory screen sieve analysis - parts and labor for 4 years or 40,000 pounds of coffee, whichever comes first.

These warranty periods run from the date of installation BUNN warrants that the equipment manufactured by it will be commercially free of defects in material and workmanship existing at the time of manufacture and appearing within the applicable warranty period. This warranty does not apply to any equipment, component or part that was not manufactured by BUNN or that, in BUNN's judgment, has been affected by misuse, neglect, alteration, improper installation or operation, improper maintenance or repair, non periodic cleaning and descaling, equipment failures related to poor water quality, damage or casualty. In addition, the warranty does not apply to replacement of items subject to normal use including but not limited to user replaceable parts such as seals and gaskets. This warranty is conditioned on the Buyer 1) giving BUNN prompt notice of any claim to be made under this warranty by telephone at (217) 529-6601 or by writing to Post Office Box 3227, Springfield, Illinois 62708-3227; 2) if requested by BUNN, shipping the defective equipment prepaid to an authorized BUNN service location; and 3) receiving prior authorization from BUNN that the defective equipment is under warranty.

**THE FOREGOING WARRANTY IS EXCLUSIVE AND IS IN LIEU OF ANY OTHER WARRANTY, WRITTEN OR ORAL, EXPRESS OR IMPLIED, INCLUDING, BUT NOT LIMITED TO, ANY IMPLIED WARRANTY OF EITHER MERCHANTABILITY OR FITNESS FOR A PARTICULAR PURPOSE.** The agents, dealers or employees of BUNN are not authorized to make modifications to this warranty or to make additional warranties that are binding on BUNN. Accordingly, statements by such individuals, whether oral or written, do not constitute warranties and should not be relied upon.

If BUNN determines in its sole discretion that the equipment does not conform to the warranty, BUNN, at its exclusive option while the equipment is under warranty, shall either 1) provide at no charge replacement parts and/or labor (during the applicable parts and labor warranty periods specified above) to repair the defective components, provided that this repair is done by a BUNN Authorized Service Representative; or 2) shall replace the equipment or refund the purchase price for the equipment.

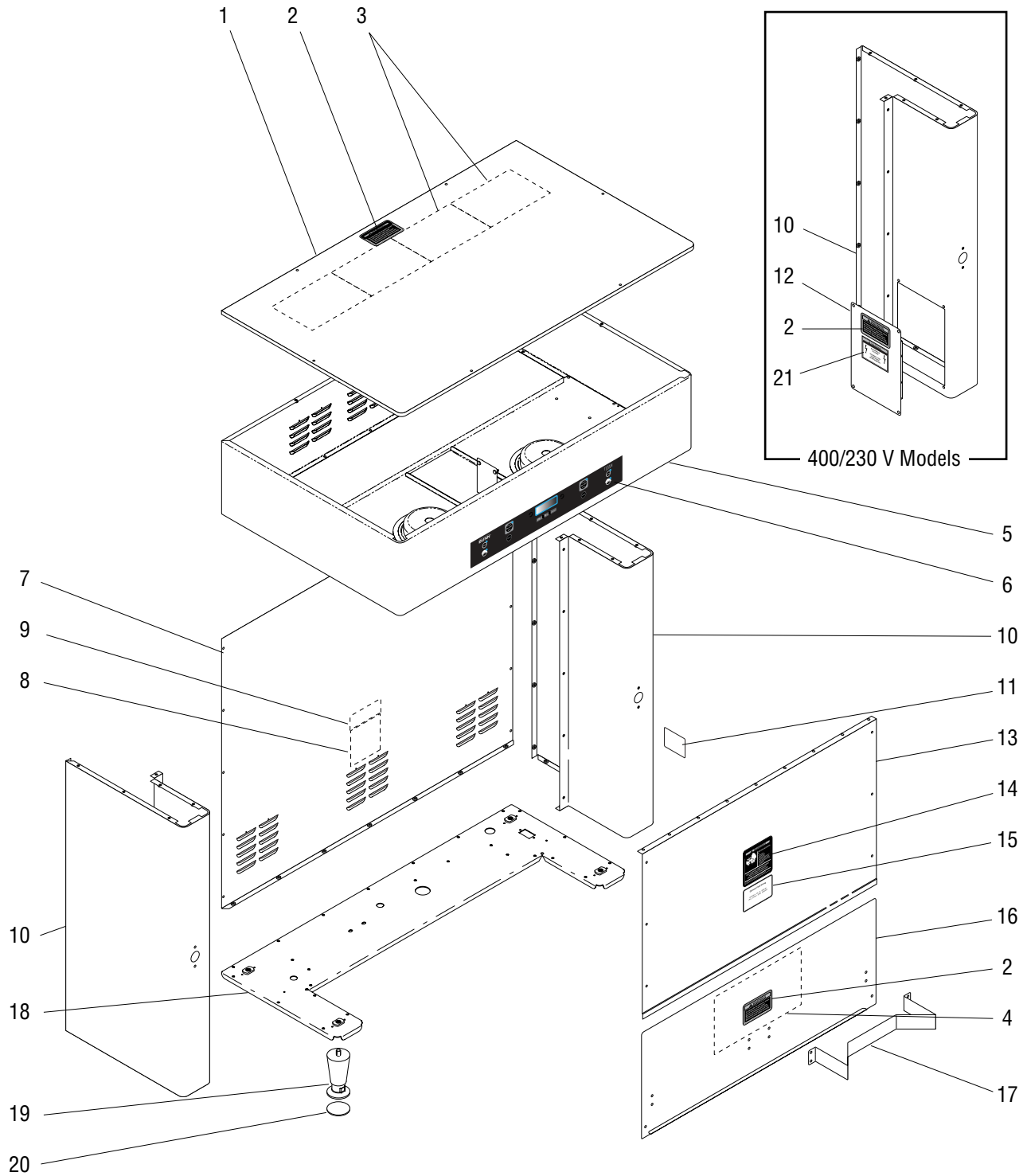
**THE BUYER'S REMEDY AGAINST BUNN FOR THE BREACH OF ANY OBLIGATION ARISING OUT OF THE SALE OF THIS EQUIPMENT, WHETHER DERIVED FROM WARRANTY OR OTHERWISE, SHALL BE LIMITED, AT BUNN'S SOLE OPTION AS SPECIFIED HEREIN, TO REPAIR, REPLACEMENT OR REFUND.**

In no event shall BUNN be liable for any other damage or loss, including, but not limited to, lost profits, lost sales, loss of use of equipment, claims of Buyer's customers, cost of capital, cost of down time, cost of substitute equipment, facilities or services, or any other special, incidental or consequential damages.

392, A Partner You Can Count On, Air Infusion, AutoPOD, AXIOM, BrewLOGIC, BrewMETER, Brew Better Not Bitter, BrewWISE, BrewWIZARD, BUNN Espresso, BUNN Family Gourmet, BUNN Gourmet, BUNN Pour-O-Matic, BUNN, BUNN with the stylized red line, BUNNlink, Bunn-O-Matic, Bunn-O-Matic, BUNNserve, BUNNSERVE with the stylized wrench design, Cool Froth, DBC, Dr. Brew stylized Dr. design, Dual, Easy Pour, EasyClear, EasyGard, FlavorGard, Gourmet Ice, Gourmet Juice, High Intensity, iMIX, Infusion Series, Intellisteam, My Café, Phase Brew, PowerLogic, Quality Beverage Equipment Worldwide, Respect Earth, Respect Earth with the stylized leaf and coffee cherry design, Safety-Fresh, savemycoffee.com, Scale-Pro, Silver Series, Single, Smart Funnel, Smart Hopper, SmartWAVE, Soft Heat, SplashGard, The Mark of Quality in Beverage Equipment Worldwide, ThermoFresh, Titan, trifacta, Velocity Brew, Air Brew, Beverage Bar Creator, Beverage Profit Calculator, Brew better, not bitter., BUNNSource, Coffee At Its Best, Cyclonic Heating System, Daypart, Digital Brewer Control, Element, Nothing Brews Like a BUNN, Pouring Profits, Signature Series, Tea At Its Best, The Horizontal Red Line, Ultra are either trademarks or registered trademarks of Bunn-O-Matic Corporation. The commercial trifacta® brewer housing configuration is a trademark of Bunn-O-Matic Corporation.

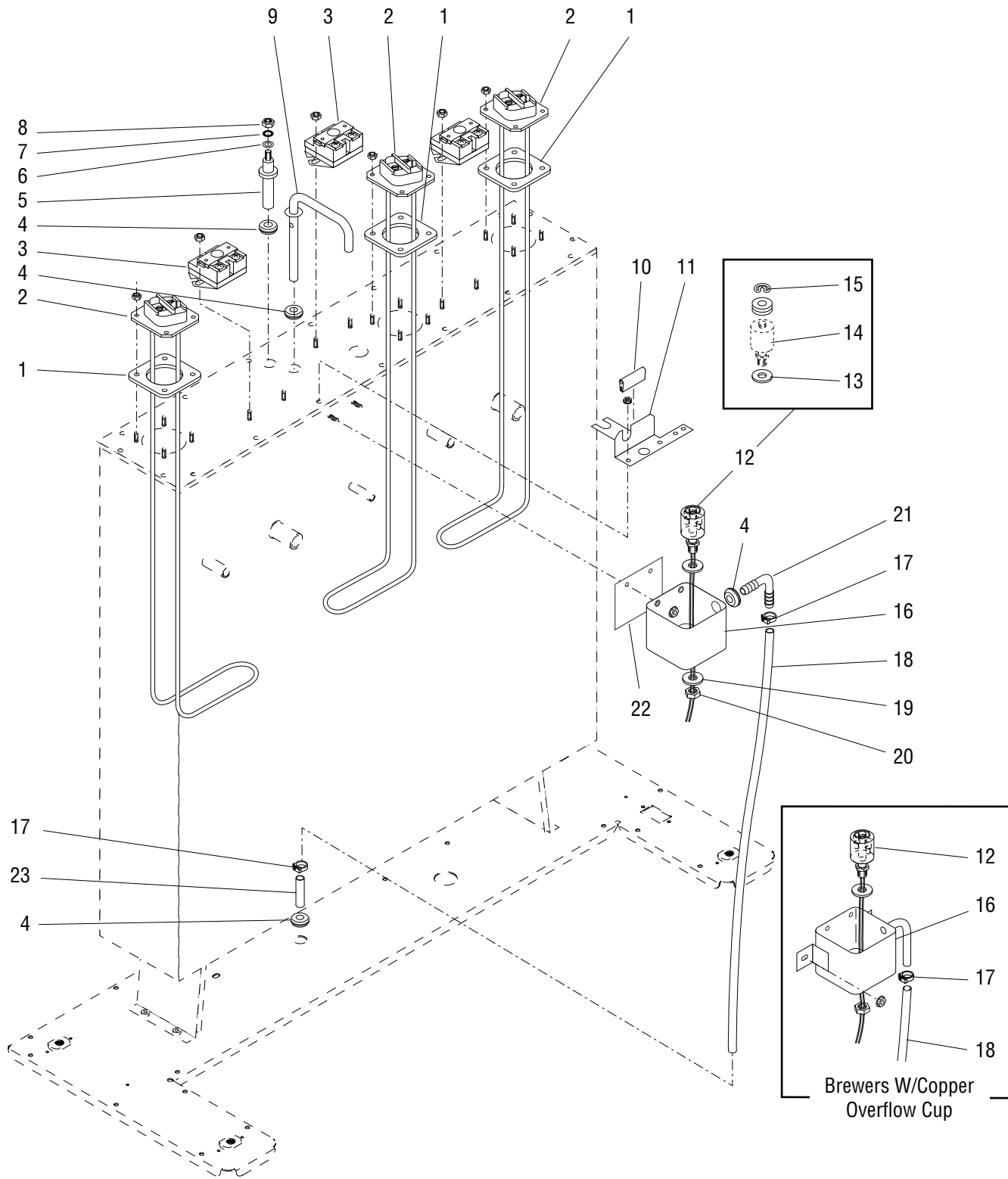
# TABLE OF CONTENTS

Base - Trunk - Hood - Covers & Panels .....	4
Electrical Controls .....	18
Faucet.....	16
Funnel.....	22
Numerical Index .....	24
Sprayhead Valve, Water By-Pass Valve and Sprayhead.....	12
Tank and Mounting Brackets .....	8
Tank Heater & Overflow Protection Devices .....	6
Water Inlet Valve & Lines .....	10



## BASE - TRUNK - HOOD - COVERS & PANELS

ITEM	PART NO.	QTY.	DESCRIPTION
1	39884.1001 01315.0005	1 6	Cover Assy, Top BLK (Includes item 2 & 3) Screw, Truss Head BLK #8 - 32 x .38"
2	37881.0000	2	Decal, "No Serviceable Parts"
3	25151.0000	4	Shield, Insulator
4	39972.0000 39972.0001 39972.0002	1 1 1	Schematic, 3 Phase/1 Phase (120/208 & 120/240V models) Schematic, 3 Phase/1 Phase (230/400V models) Schematic, 3 Phase/1 Phase (200V models)
5	39530.1001 02308.0000	1 26	Hood SST (Includes item 6) Screw, Pan Head #8 - 32 x .375"
6	39544.0000	1	Switch, Membrane
7	39514.1000	1	Panel W/Decals, Trunk Rear (Includes items 8 & 9)
8	00986.0000	1	Decal, Warning - Electrical
9	00656.0001	1	Decal, Comply to Plumbing Code
10	39516.1000 39516.1001	2 1	Panel W/Decal, Trunk Side (Includes item 11) (1 less used on 230/400V models) Panel W/Decal, Trunk Right Side (Includes item 11) (230/400V models)
11	39803.0000	1	Decal, Main Power Switch
12	40886.1000 41096.0000	1 4	Panel, Access EMI Filter (230/400V models only) (Includes items 2 and 21) Screw, Pin in Torx Head #8 - 32 x .375"
13	39518.1000 39518.1001 39518.1002 01315.0000	1 1 1 6	Panel W/Decals, Trunk SST (Includes items 14 & 15) (120/208V models) Panel W/Decals, Trunk SST (Includes items 14 & 15) (120/240V models) Panel W/Decals, Trunk SST (Includes items 14 & 15) (230/400V models) Screw, Truss Head #8 - 32 x .375"
14	00658.0000	1	Decal, Caution - Decanter/Funnel
15	29710.0015 29710.0019 29710.0020	1 1 1	Decal, Optional Field Wiring (120/208V models) Decal, Optional Field Wiring (120/240V models) Decal, Optional Field Wiring (230/400V models)
16	39521.1000 01315.0000	1 2	Panel W/Decal, Trunk SST (Includes item 2) Screw, Truss Head #8 - 32 x .375"
17	39520.0000 01315.0000	1 4	Bracket, Server Stop Screw, Truss Head #8 - 32 x .375"
18	39512.0002* 02308.0000	1 19	Base Plate Screw, Pan Head #8 - 32 x .375"
19	40041.0000	4	Leg, Nickel Plated
20	40042.0000	4	Pad, Anti Skid
21	12559.0003	1	Decal, "Warning Hazardous Voltage"

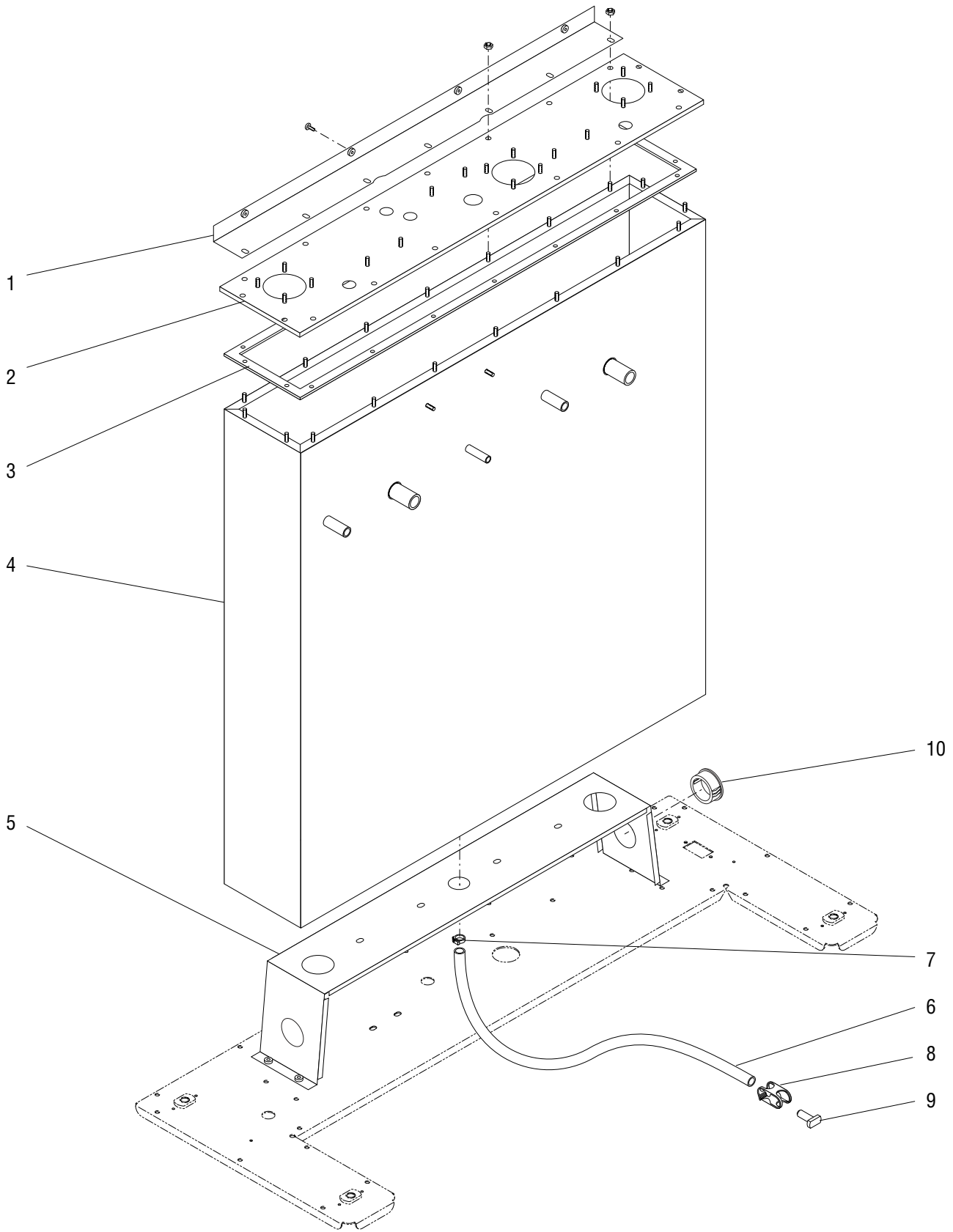


## TANK HEATER & OVERFLOW PROTECTION DEVICES

ITEM	PART NO.	QTY.	DESCRIPTION
1	12398.0002	3	Gasket, Tank Heater
2	12305.1000	3	Tank Heater, 4000W @ 208V (Includes item 1)
	12322.1000	3	Tank Heater, 4000W @ 240V (Includes item 1)
	00908.0000	12	Nut, Hex #8 - 32
3	23717.0003	3	Thermostat, Limit
	00908.0000	6	Nut, Hex #8 - 32
4	02536.0000	3	Grommet .375" I.D.
5	20936.1000	1	Probe Kit (Includes items 6, 7 & 8)
6	01501.0000	1	Washer .164" I.D. x .375" O.D.
7	20203.0100	1	Lockwasher, Internal Tooth #8
8	00908.0000	1	Nut, Hex #8 - 32
9	26622.0001	1	Tube Assy, Vent
10	02434.0010*	1	U-Channel 2.0" (Order item 24)
11	27473.0000	1	Bracket, Overflow Cup Mounting
12	03803.0002	1	Switch Assy, Liquid Level (Includes items 13, 14 & 15)
	00946.0000	1	Nut, Hex .125" FPT
	04797.0000	1	Washer, .520" I.D. x 1.075" O.D.
13	03633.0000	1	Gasket, Float Switch
14	01527.0000*	3	Washer, Adjusting ( <b>DO NOT USE IN THIS APPLICATION</b> )
15	03807.0000	1	Clip, Spring
16	22728.0000	1	Overflow Cup Assy Copper (Second type) (Also replaces aluminum cup)
	41259.1003	1	Kit, Overflow Cup (Aluminum) (Includes items 4,19, 21 & 22)
	00971.0000	2	Nut, Keps #10-32
17	12422.0000	2	Clamp, Hose .47"/.54" I.D.
18	03236.0027*	1	Tube, Silicone .312" I.D. x 45.0" (Order item 25)
19	04797.0000	1	Washer, Celcon .520" I.D. x 1.0" O.D.
20	00946.0000	1	Nut, Hex .125" FPT
21	41280.0001	1	Elbow,.375" Multi Barb
22	41266.0000	1	Film, Insulating
23	21801.0002	1	Tube .375" O.D.
24	02434.1000	-	U-Channel 18.0" (Use as required)
25	03236.1001	-	Tube, Silicone .312" I.D. x 36.0"
	03236.1003	-	Tube, Silicone .312" I.D. x 60.0"
	03236.1002	-	Tube, Silicone .312" I.D. x 120.0"

} Not illustrated

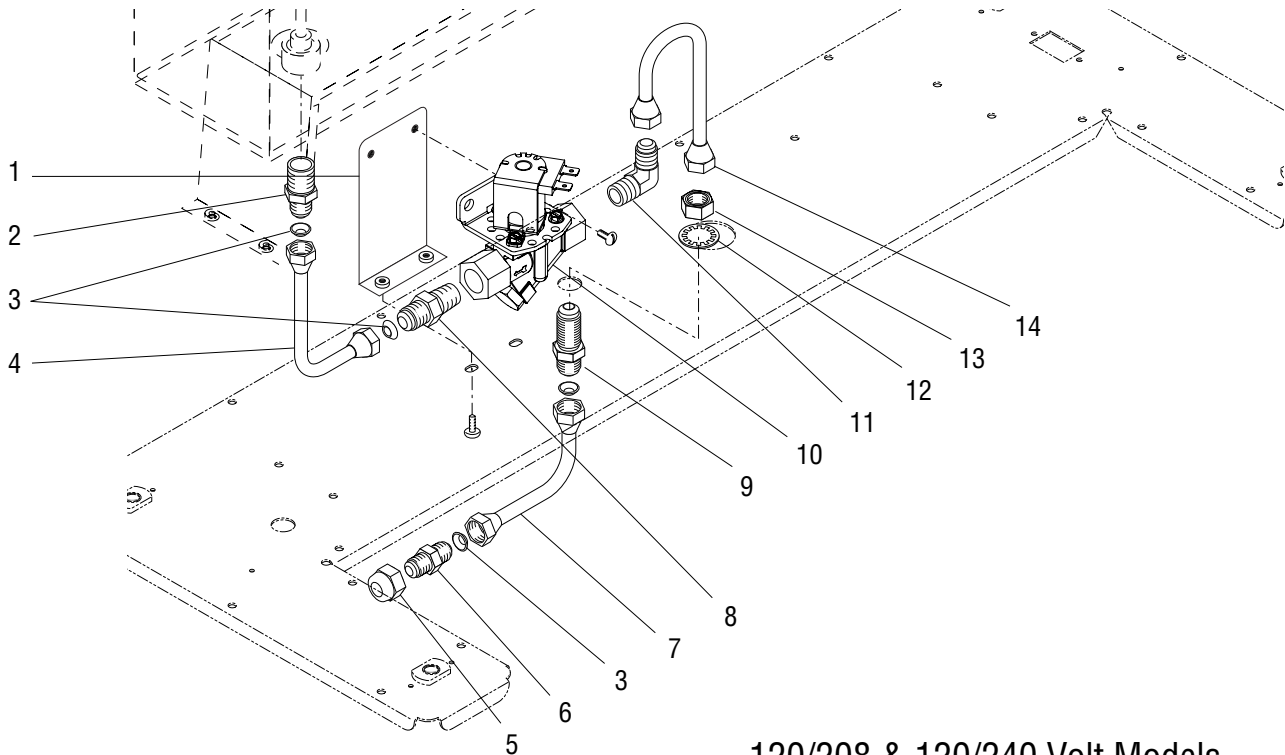
\* Indicates the part number listed is for reference only. See DESCRIPTION for possible service replacement.



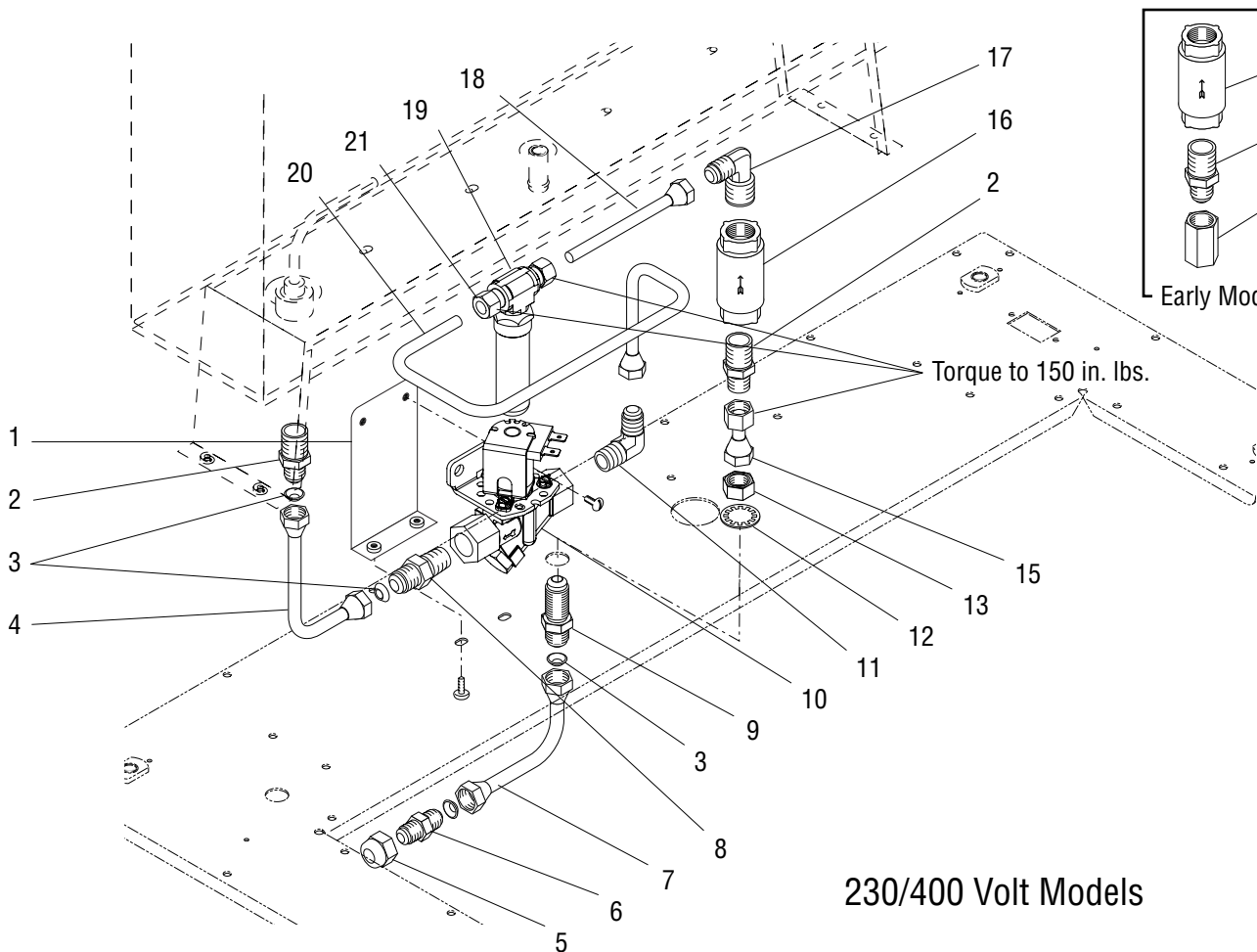


## TANK AND MOUNTING BRACKETS

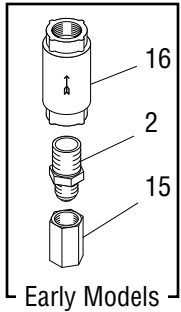
ITEM	PART NO.	QTY.	DESCRIPTION
1	39990.0000	1	Bracket, Tank Support (Top)
	01317.0003	4	Screw, Truss Head LKG #8 - 32 x .375"
	00908.0000	3	Nut, Hex #8 - 32
2	39548.0000	1	Lid, Tank
	00908.0000	16	Nut, Hex #8 - 32
3	39545.0000	1	Gasket, Tank
4	39618.1001	1	Tank
5	39540.0000	1	Bracket, Tank Mounting (Bottom)
	00971.0000	4	Nut, Keps #10-32
6	32591.0011*	1	Tube, Silicone .50" I.D. x .75" O.D. x 36.0" (Order item 11)
7	12422.0005	2	Clamp, Hose .62"/.71" I.D.
8	11630.0001	1	Clamp, Tubing Shutoff
9	35086.0000	1	Plug, .50" I.D. Hose
10	01592.0001	1	Bushing, 1.188" Dia.
11	32591.1002	1	Tube, Silicone .50" I.D. x 36.0" (Not illustrated)



**120/208 & 120/240 Volt Models**



**230/400 Volt Models**



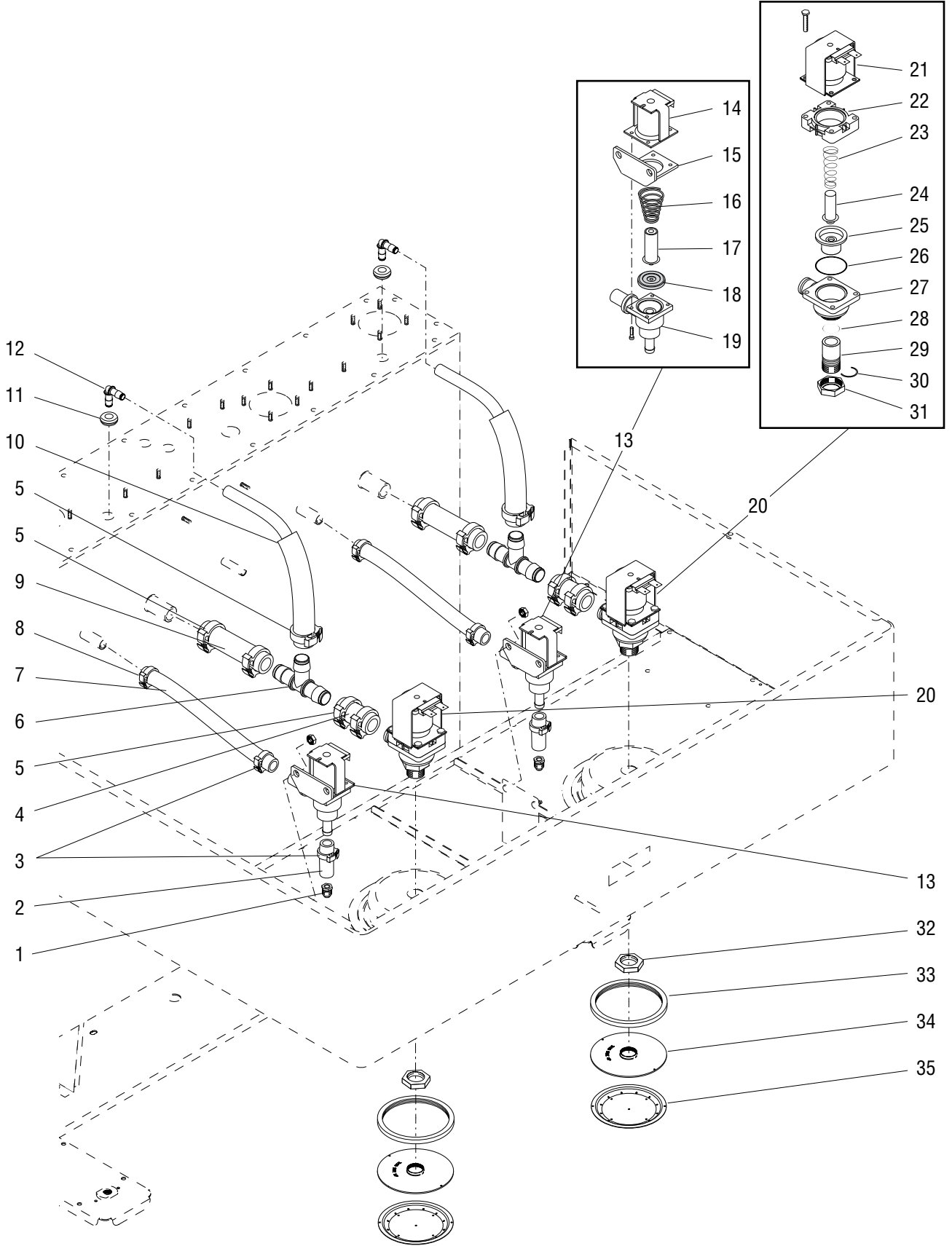
**Early Models**

**Torque to 150 in. lbs.**

## WATER INLET VALVE & LINES

ITEM	PART NO.	QTY.	DESCRIPTION
1	39536.0000	1	Bracket, Solenoid Mounting
	02308.0000	2	Screw, Pan Head #8 - 32 x .375"
2	40040.0000	1	Fitting, .375" Male Flare x .50" MPT (One additional used on Early 230/400V models)
	40809.0000	1	Fitting, Compression .38" Tube x .50" MPT (Late 230/400V models)
3	32359.0000	4	Gasket, .375" Flare Copper
4	39965.0000	1	Tube Assembly, Solenoid to Tank .38" O.D.
5	12919.0001	1	Cap (For shipping purposes only)
6	36081.0000	1	Union .375" Male Flare
7	00310.0008	1	Tube Assembly, Bulkhead to Supply
8	36085.0000	1	Connector .375" Flare x .125" MPT
9	12756.0000	1	Bulkhead Fitting .375" Flare
10	40507.0000	1	Solenoid Valve Assy, 120V (Includes items 9 & 11)
	40507.0002	1	Solenoid Valve Assy, 240V (Includes items 9 & 11)
	01315.0000	2	Screw, Truss Head #8 - 32 x .375"
11	34768.0001	1	Elbow, Male .375" Flare x .125" MPT
12	01514.0000	1	Lockwasher, Internal Tooth .625" I.D.
13	12757.0000	1	Nut, Hex .625" - 20
14	40171.0000	1	Tube Assy, Bulkhead to Solenoid Valve (120/208V & 120/240V models)
15	36478.0000	1	Fitting, Flared Union .375" (Early models)
	41498.0001	1	Tube Assy, Bulkhead to Check Valve (Late models)
16	40831.0000	1	Check Valve
17	40892.0000	1	Fitting, 90° Flare .50: MPT
18	40818.0000	1	Tube Assy, Check Valve to Arrester (Includes Flare Nut)
19	40832.0000	1	Mini Rester
20	40817.0000	1	Tube Assy, Arrester to Solenoid Valve (Includes Flare Nut)
21	00929.0001	2	Nut/Sleeve, Compression .38" Tube
22	M2517.0000	-	Sealant, Pipe 6 ml (Not illustrated)

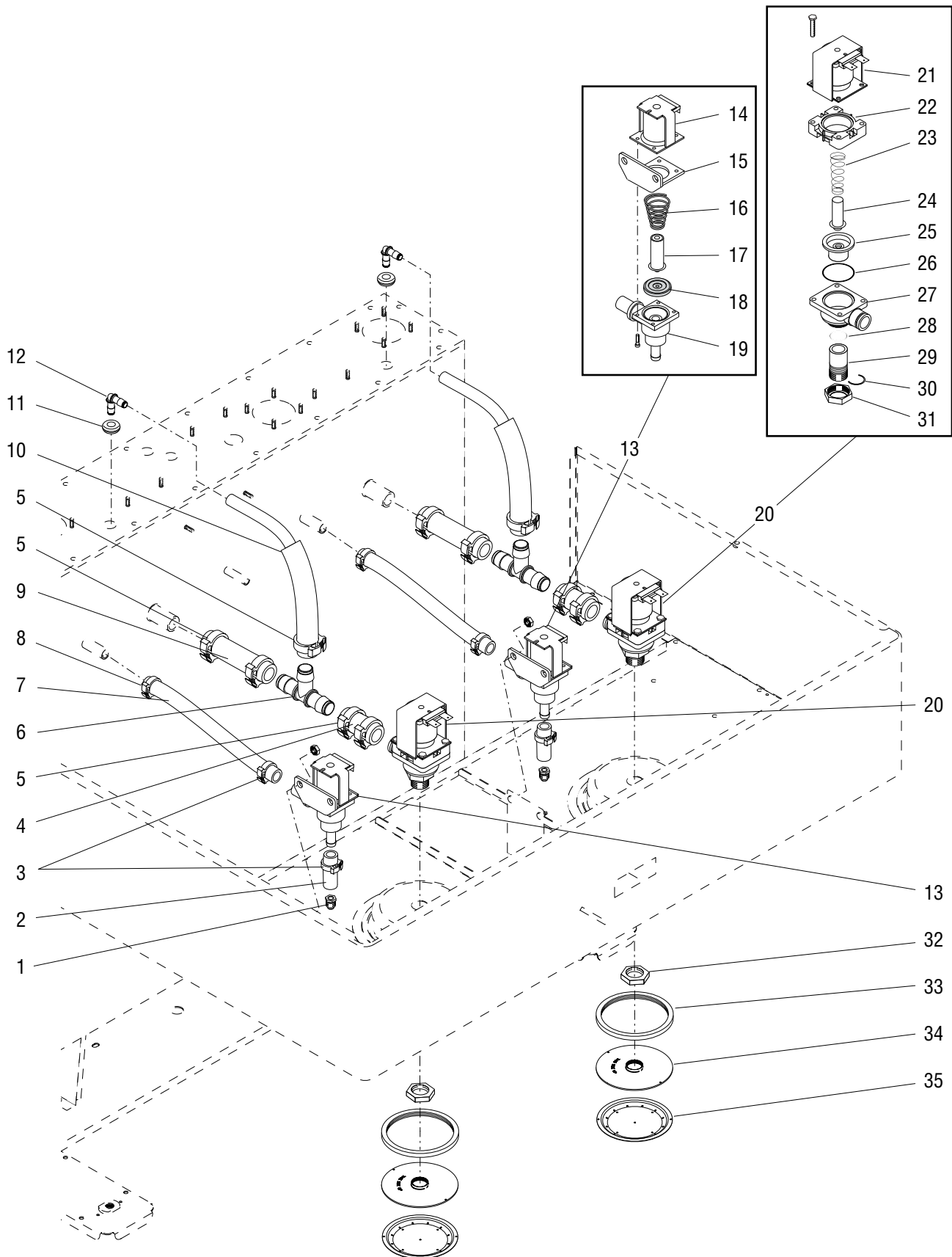
230/400V models only



## SPRAYHEAD VALVE, WATER BY-PASS VALVE & SPRAYHEAD

ITEM	PART NO.	QTY.	DESCRIPTION
1	34801.0001	2	Fitting, Bypass Restrictor
2	32591.0003*	2	Tube, Silicone .50" I.D. x .75" O.D. x 1.10" (Order item 36)
3	12422.0005	4	Clamp, Hose .62"/.71" I.D.
4	35052.0004*	2	Tube, Silicone .75" I.D. x 1.0" O.D. x2.0" (Order item 37)
5	12422.0008	10	Clamp, Hose .93"/1.10" I.D.
6	40349.0000	1	Tee, .75" Barb
7	32591.0018*	1	Tube, Silicone .50" I.D. x .75" O.D. x 7.50" (Order item 36)
8	12422.0009	2	Clamp, Hose .71"/.80" I.D.
9	35052.0005*	2	Tube, Silicone .75" I.D. x 1.0" O.D. x4.25" (Order item 37)
10	40350.1000	2	Tube Assy, Vent
11	02536.0000	2	Grommet .375" I.D.
12	40348.0000	2	Elbow, .375" Barb.
13	27370.0003	2	Valve Assy, Bypass 120V (Includes items 14 thru 19)
	27370.0005	2	Valve Assy, Bypass 240V (Includes items 14 thru 19)
	00970.0000	4	Nut, Keps #8 - 32
14	-----	1	Coil Assy, Bypass Valve (Not available order item 13)
15	-----	1	Bracket, Mounting (Not available order item 13)
16	-----	1	Spring (Not available order item 38)
17	-----	1	Plunger (Not available order item 38)
18	23255.0000	1	Diaphragm
19	-----	1	Body (Not available order item 13)
20	39978.0000	2	Valve Assy, Sprayhead 120V (Includes items 21 thru 31)
	39978.0001	2	Valve Assy, Sprayhead 240V (Includes items 21 thru 31)
21	40206.0004	1	Coil Assy, Valve 120V
	40181.0001	1	Coil Assy, Valve 240V
	40186.0000	4	Screw, #8 - 32 x 1.0"
22	39925.0000	1	Spacer, Sprayhead Valve
23	40206.0002	1	Spring
24	40206.0003	1	Plunger
25	40206.0001	1	Diaphragm
26	40184.0000	1	O-Ring, 1.50" OD x 1.375" ID x .062"
27	-----	1	Body (Not available order item 20)
28	40182.0000	1	O-Ring

(continued)



## SPRAYHEAD VALVE, WATER BY-PASS VALVE & SPRAYHEAD

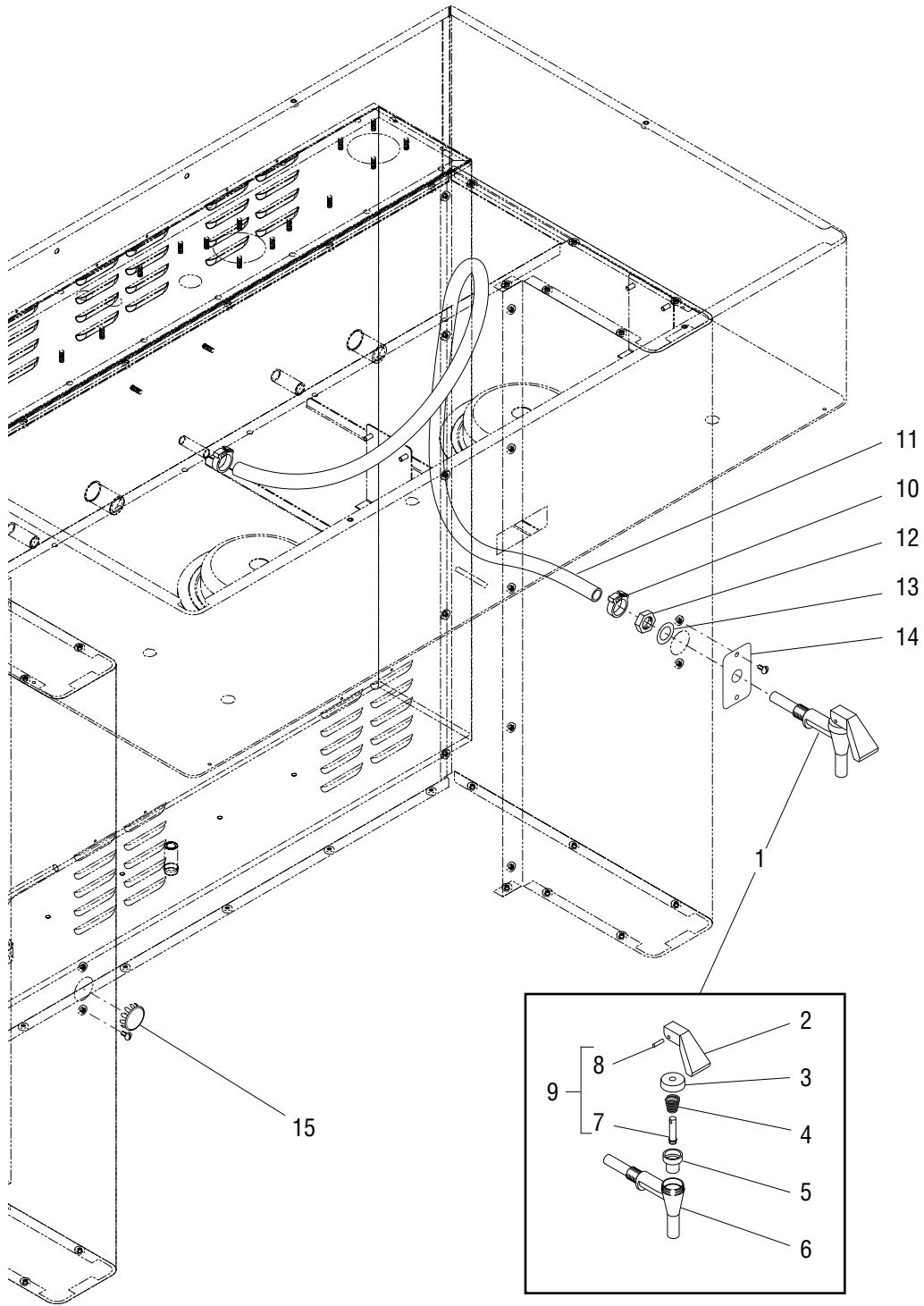
ITEM	PART NO.	QTY.	DESCRIPTION
29	39546.0000	1	Fitting, Sprayhead Valve
30	40183.0000	1	C-Ring, Dispense Valve
31	-----	1	Nut, Fitting Retaining (Not available order item 20)
32	00957.0001	2	Nut, Hex .75" - 16
33	34868.0000	2	Seal, Sprayhead
34	35070.0002	2	Sprayhead Back
35	34867.0004	2	Sprayhead

} Refer to item 40

NOTE: The following parts are not illustrated

36	32591.1001	1	Tube, Silicone .50" I.D. x .75" O.D. x 12.0"
	32591.1002	1	Tube, Silicone .50" I.D. x .75" O.D. x 36.0"
37	35052.1000	1	Tube, Silicone .75" I.D. x 1.0" O.D. x 12.0"
38	11517.0008	-	Solenoid Valve Repair Kit, Bypass (Includes one each of spring, plunger and diaphragm)
39	40206.0000	-	Solenoid Valve Repair Kit, Sprayhead (Includes items 23, 24, 25, 26, 28, 29 and 30)
40	35308.1008	-	Sprayhead Assy (Includes one each of items 33, 34 and 35)

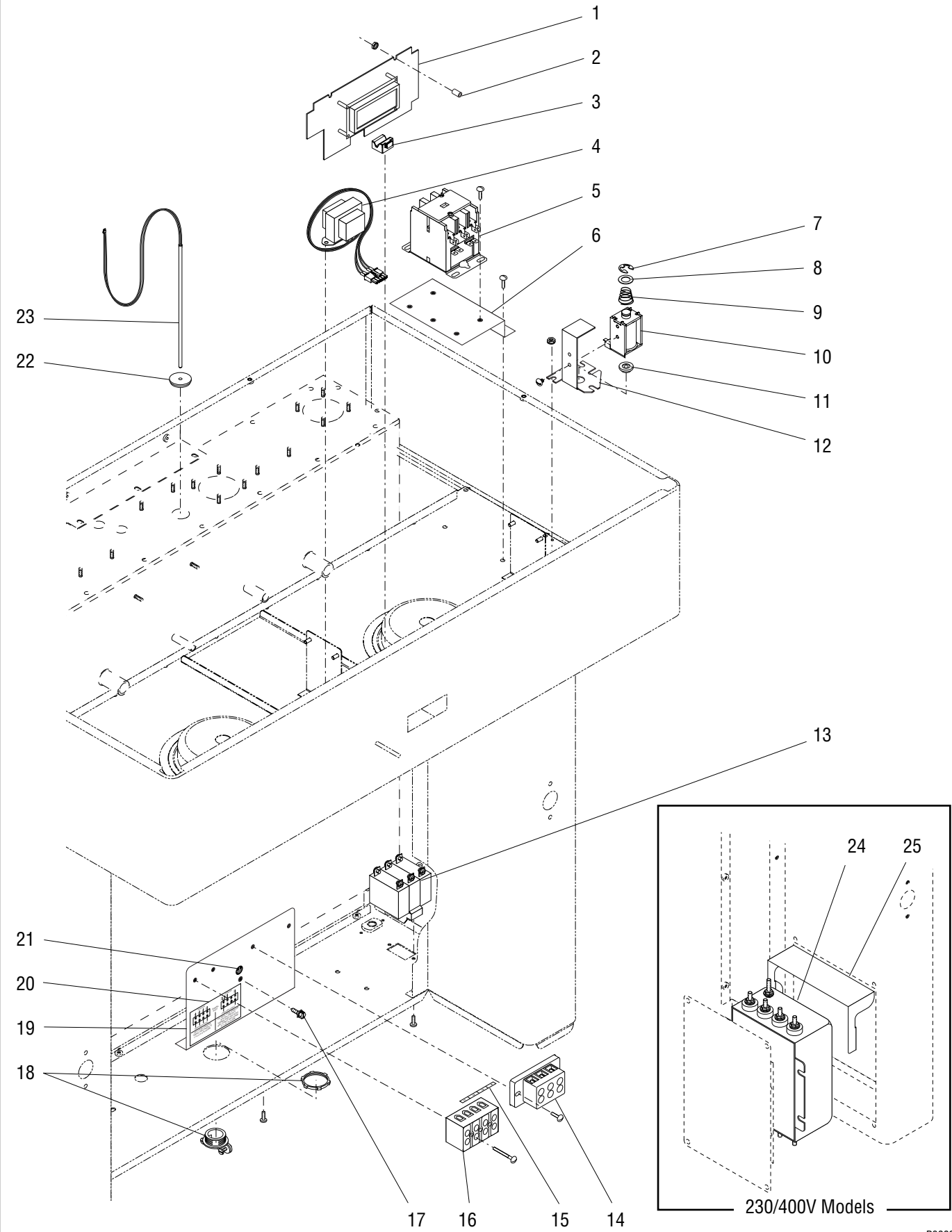
\* Indicates the part number listed is for reference only. See DESCRIPTION for possible service replacement.





## FAUCET

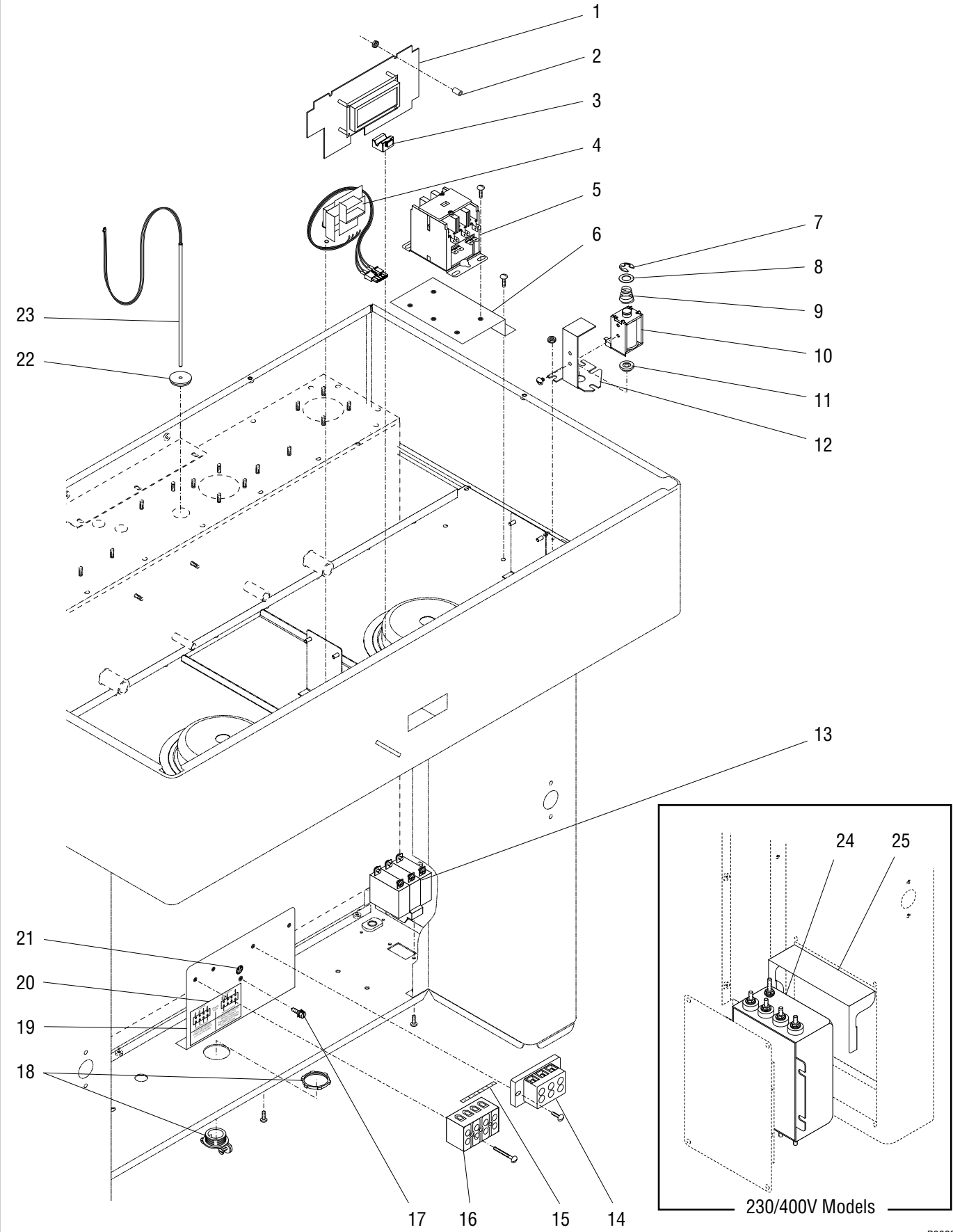
ITEM	PART NO.	QTY.	DESCRIPTION
1	29075.0002	1	Faucet Assy (Includes items 2 thru 8)
2	02861.0003	1	Handle, Faucet
3	02854.0000	1	Bonnet, Faucet
4	02595.0000	1	Spring, Faucet
5	02766.0000	1	Seat Cup, Faucet
6	02856.0009*	1	Body, Faucet (Not available order item 1)
7	13054.0000	1	Stem, Faucet
8	02858.0000	1	Pin, Spring .125" Dia. x .50"
9	02594.0000	1	Faucet Stem W/Pin (Includes items 7 & 8)
10	12422.0001	2	Clamp, Hose .59"/.66" I.D.
11	28526.0032*	1	Tube, Silicone .313" I.D. x .562" O.D. x 40.0" (Order item17)
12	29264.0000	1	Nut, Faucet Retaining
13	01544.0000	1	Washer, .50" I.D. x .75" O.D.
14	39827.0001	1	Plate, Faucet Mounting
	01315.0000	4	Screw, Truss Head #8-32 x .375"
15	00619.0013	1	Plug, Hole 1.25" Dia.
16	28706.0002	-	Faucet Kit (Includes items 2,4 ,5 ,8 & 9)
17	28526.1002	-	Tube, Silicone .313" I.D. x .562" O.D. x 60.0" (Not Illustrated)



## ELECTRICAL CONTROLS

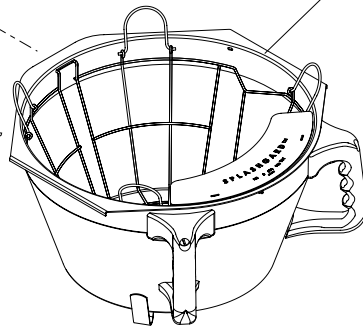
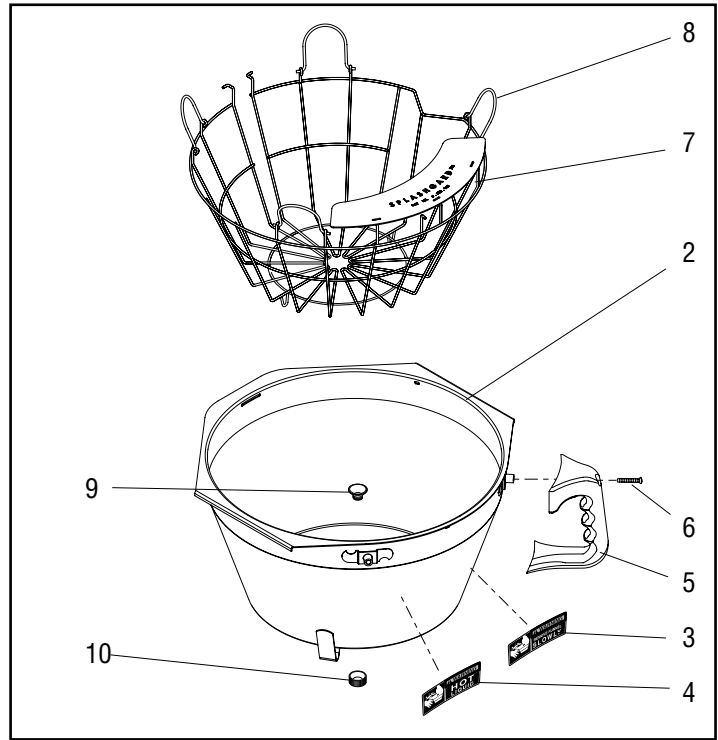
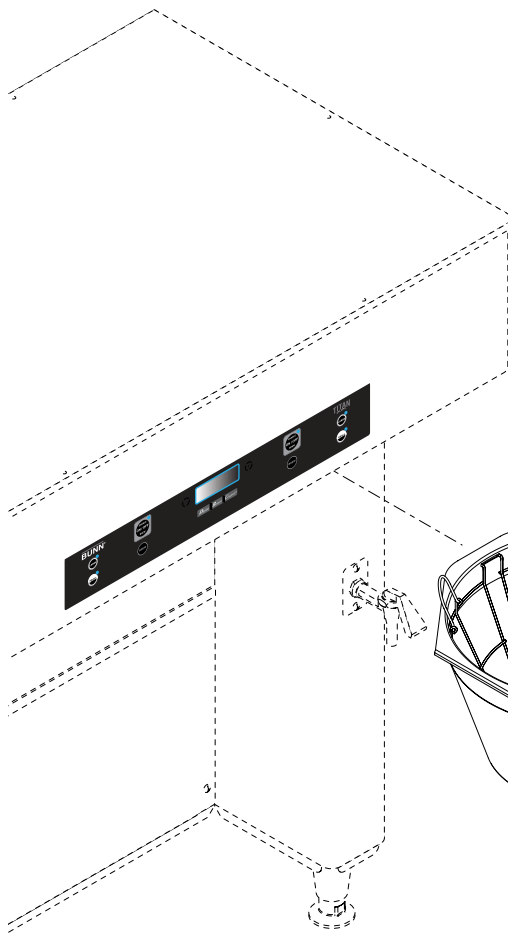
ITEM	PART NO.	QTY.	DESCRIPTION	
1	37789.1013	1	Circuit Board, Main control	
	00973.0000	2	Nut, Keps #6-32	
2	01533.0002	2	Spacer	
3	36366.0000	1	Mount, Circuit Board	
4	34307.1001	1	Transformer, 10VA 120 to 12V	
	34307.1002	1	Transformer, 10VA 230 to 12V	
	00970.0000	2	Nut, Keps #8-32	
5	38045.0001	1	Contactor, 3-pole 120V	
	38045.0000	1	Contactor, 3-pole 208/240V	
	02331.0000	4	Screw, Truss Head #10-32 x .375"	
6	39535.0000	1	Bracket, Contactor Mounting	
	02308.0000	2	Screw, Pan Head #8-32 x .38"	
7	39981.0000	2	Ring, Solenoid	
9	-----	2	Washer, Nylon .44" ID x .68" OD	} Also see item 33
9	39982.0000	2	Spring, Solenoid	
10	35955.0000	2	Coil, Solenoid, 120V (Includes items 7 thru 9)	
	35955.0001	2	Coil, Solenoid, 220V (Includes items 7 thru 9)	
	33613.0000	4	Screw, Truss Head #8-32 x .25"	
	01519.0000	4	Lockwasher, Split #8	
11	35953.0000	2	Guide, Pin	
12	38280.0000	2	Bracket, Solenoid	
	00970.0000	4	Nut, Keps #8-32	
13	38894.0002	1	Switch, Main Power	
	01308.0002	2	Screw, Truss Head #6-32 x .25" (Switch Mounting)	} Terminals
	01327.0000	4	Screw, Pan Head #10-32 x .375"	
	01512.0000	4	Lockwasher, External Tooth #10	
14	07038.0002	1	Terminal Block, 3 Pole BLACK/RED/BLUE (120/208V, 120/240V & 200V models)	
	01317.0000	2	Screw, Truss Head #8-32 x .50"	
15	34588.0001	1	Decal, Terminal Block (L1-L2-L3-N) (1 additional used on 230/400V models)	
16	21869.0000	1	Terminal Block, 4 Pole (One additional used on 230/400V models)	
	38030.0000	2	Screw, FilisterHead #8 - 32 x 1.25" (2 additional used on 230/400V models)	
17	01309.0000	1	Ground Screw W/Terminal Washer #10-32 x .50"	
18	01590.0001	1	Connector, Cable	
19	39538.1000	1	Bracket W/Decals, Terminal Block Mtg (120/208 & 120/240V models)	} Includes items 20 & 21
	39538.1001	1	Bracket W/Decals, Terminal Block Mtg (230/400V models)	
	01317.0000	2	Screw, Truss Head #8-32 x .50"	
	01541.0000	2	Washer, Flat .219" ID x 1.0" OD	
20	37947.0002	1	Decal, Field Wiring (120/208 & 120/240V models)	
	37947.0003	1	Decal, Field Wiring (230/400V models)	
21	00824.0002	1	Decal, Ground	

(Continued)



## ELECTRICAL CONTROLS

ITEM	PART NO.	QTY.	DESCRIPTION
22	12570.0000	1	Grommet, Temperature Sensor
23	40286.0000	1	Probe Kit, Temperature/Dry Plug
24	29446.0005	1	EMI Filter, European 36 amp 3 Phase
	02331.0000	4	Screw, Truss Head #10 - 32 x .38"
25	41539.0000	1	Guard, EMI Filter
NOTE: The following items are not illustrated			
26	39949.0000	1	Wiring Harness, Heater Return (120/208 & 120/240V models)
	39949.0001	1	Wiring Harness, Heater Return (230/400V models)
27	39950.0000	1	Wiring Harness, Contactor-Out
28	39953.0000	1	Wiring Harness, Main
29	39952.0000	1	Wiring Harness, Liquid Level
30	37859.0006	1	Wiring Harness, Main Power Sw. to Terminal Blocks (120/208 & 120/240V models)
	37859.0007	1	Wiring Harness, Main Power Sw. to EMI Filter
	37859.0008	1	Wiring Harness, Terminal Block to Main Power Sw. } 230/400V models
	34707.0007	1	Wiring Harness, EMI Filter to Terminal Block
	37859.0009	1	Wiring Harness, Terminal Block to Main Power Sw. } 200V models
	34707.0008	1	Wiring Harness, EMI Filter to Terminal Block
31	39951.0000	1	Wiring Harness, Terminal Block/Contactor
32	34808.0002	1	Capacitor Assy, EMI Filter
33	35952.1003	-	Solenoid Assy, Funnel Lock 120V (Includes items 7 thru 12)



## FUNNEL

ITEM	PART NO.	QTY.	DESCRIPTION
1	40114.0000	2	Funnel Assy, SST (Each includes Items 2 thru 9)
2	39358.1002	1	Funnel W/Decals (Includes items 3 & 4)
3	03408.0004	1	Decal, Caution-Remove Funnel
4	03409.0004	1	Decal, Caution-Hot Liquid
5	43028.1000	2	Handle, Funnel-Black (Includes item 6)
6	12499.0002	2	Screw, Round Head .BLK 25" - 20 x 1.5"
7	39372.0001	1	Filter Basket w/Splash Guard
8	39359.0002	4	T-Ring, Funnel Basket (Refer to item 12)
9	32139.0000	1	Insert, Funnel Tip - Male (Refer to item 11)
10	32140.0000	1	Insert, Funnel Tip - Female (Refer to item 11)
11	01031.0001	-	Funnel Tip Kit (Includes items 9 & 10)
12	39359.1002	-	T-Ring Kit (Includes 4 of item 8)

## NUMERICAL INDEX

PART NO.	PAGE NO.	PART NO.	PAGE NO.	PART NO.	PAGE NO.	PART NO.	PAGE NO.
00310.0008.....	11	12422.0000.....	7	35952.1003.....	21	39972.0002.....	5
00619.0013.....	17	12422.0001.....	17	35953.0000.....	19	39978.0000.....	13
00656.0001.....	5	12422.0005.....	9,13	35955.0000.....	19	39978.0001.....	13
00658.0000.....	5	12422.0008.....	13	35955.0001.....	19	39981.0000.....	19
00824.0002.....	19	12422.0009.....	13	36081.0000.....	11	39982.0000.....	19
00908.0000.....	7,9	12499.0002.....	23	36085.0000.....	11	39990.0000.....	9
00929.0001.....	11	12559.0003.....	5	36366.0000.....	19	40040.0000.....	11
00946.0000.....	7	12570.0000.....	21	36478.0000.....	11	40041.0000.....	5
00957.0001.....	15	12756.0000.....	11	37789.1013.....	19	40042.0000.....	5
00970.0000.....	13,19	12757.0000.....	11	37859.0006.....	21	40114.0000.....	23
00971.0000.....	7,9	12919.0001.....	11	37859.0007.....	21	40171.0000.....	11
00973.0000.....	19	13054.0000.....	17	37859.0008.....	21	40181.0001.....	13
00986.0000.....	5	20203.0100.....	7	37859.0009.....	21	40182.0000.....	13
01031.0001.....	23	20936.1000.....	7	37881.0000.....	5	40183.0000.....	15
01308.0002.....	19	21801.0002.....	7	37947.0002.....	19	40184.0000.....	13
01309.0000.....	19	21869.0000.....	19	37947.0003.....	19	40186.0000.....	13
01315.0000.....	5,11,17	22728.0000.....	7	38030.0000.....	19	40206.0000.....	15
01315.0005.....	5	23255.0000.....	13	38045.0000.....	19	40206.0001.....	13
01317.0000.....	19	23717.0003.....	7	38045.0001.....	19	40206.0002.....	13
01317.0003.....	9,19	25151.0000.....	5	38280.0000.....	19	40206.0003.....	13
01501.0000.....	7	26622.0001.....	7	38894.0002.....	19	40206.0004.....	13
01512.0000.....	19	27370.0003.....	13	39358.1002.....	23	40286.0000.....	21
01514.0000.....	11	27370.0005.....	13	39359.0002.....	23	40348.0000.....	13
01519.0000.....	19	27473.0000.....	7	39359.1002.....	23	40349.0000.....	13
01527.0000.....	7	28526.0032.....	17	39372.0001.....	23	40350.1000.....	13
01533.0002.....	19	28526.1002.....	17	39512.0002.....	5	40507.0000.....	11
01541.0000.....	19	28706.0002.....	17	39514.1000.....	5	40507.0002.....	11
01544.0000.....	17	29075.0002.....	17	39516.1000.....	5	40809.0000.....	11
01590.0001.....	19	29264.0000.....	17	39516.1001.....	5	40817.0000.....	11
01592.0001.....	9	29446.0005.....	21	39518.1000.....	5	40818.0000.....	11
02308.0000.....	5,11	29710.0015.....	5	39518.1001.....	5	40831.0000.....	11
02331.0000.....	19,21	29710.0019.....	5	39518.1002.....	5	40832.0000.....	11
02434.0010.....	7	29710.0020.....	5	39520.0000.....	5	40886.1000.....	5
02434.1000.....	7	32139.0000.....	23	39521.1000.....	5	40892.0000.....	11
02536.0000.....	7,13	32140.0000.....	23	39530.1001.....	5	41096.0000.....	5
02594.0000.....	17	32359.0000.....	11	39535.0000.....	19	41259.1003.....	7
02595.0000.....	17	32591.0003.....	13	39536.0000.....	11	41266.0000.....	7
02766.0000.....	17	32591.0011.....	9	39538.1000.....	19	41280.0000.....	7
02854.0000.....	17	32591.0018.....	13	39538.1001.....	19	41498.0001.....	11
02856.0009.....	17	32591.1001.....	15	39540.0000.....	9	41539.0000.....	21
02858.0000.....	17	32591.1002.....	9,15	39544.0000.....	5	43028.1000.....	23
02861.0003.....	17	33613.0000.....	19	39545.0000.....	9	M2517.0000.....	11
03236.0027.....	7	34307.1001.....	19	39546.0000.....	15		
03236.1001.....	7	34307.1002.....	19	39548.0000.....	9		
03236.1002.....	7	34588.0001.....	19	39618.1001.....	9		
03236.1003.....	7	34707.0007.....	21	39803.0000.....	5		
03408.0004.....	23	34707.0008.....	21	39827.0001.....	17		
03409.0004.....	23	34768.0001.....	11	39884.1001.....	5		
03633.0000.....	7	34801.0001.....	13	39925.0000.....	13		
03803.0002.....	7	34808.0002.....	21	39949.0000.....	21		
03807.0000.....	7	34867.0004.....	15	39949.0001.....	21		
04797.0000.....	7	34868.0000.....	15	39950.0000.....	21		
07038.0002.....	19	35052.0004.....	13	39951.0000.....	21		
11517.0008.....	15	35052.0005.....	13	39952.0000.....	21		
11630.0001.....	9	35052.1000.....	15	39953.0000.....	21		
12305.1000.....	7	35070.0002.....	15	39965.0000.....	11		
12322.1000.....	7	35086.0000.....	9	39972.0000.....	5		
12398.0002.....	7	35308.1008.....	15	39972.0001.....	5		